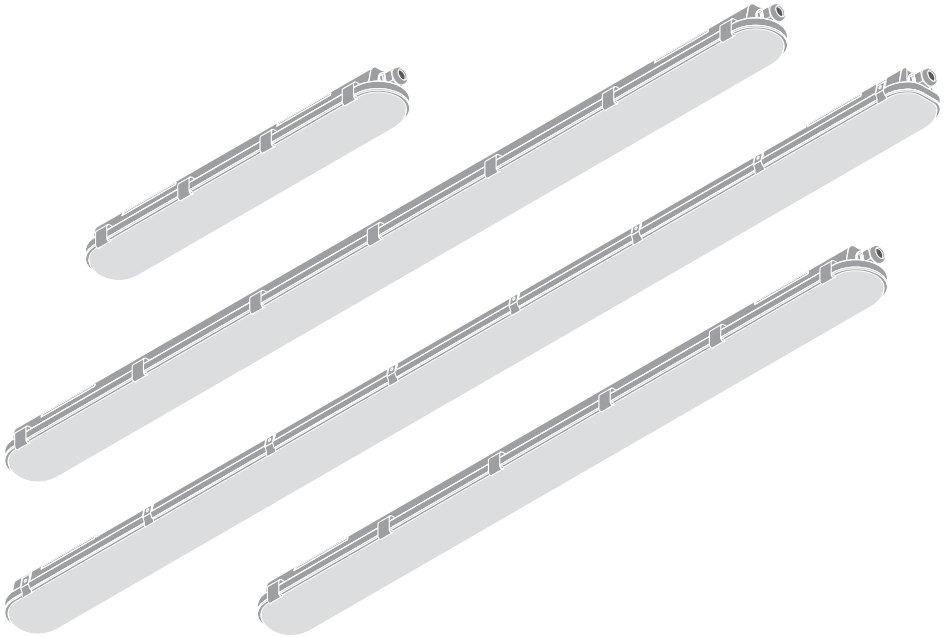
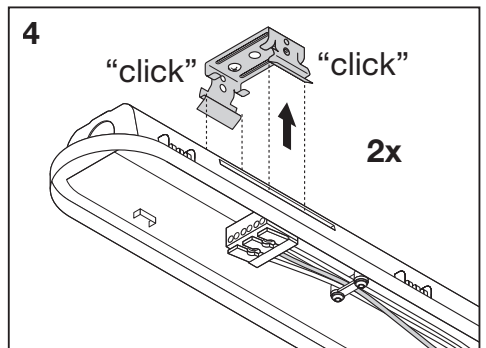
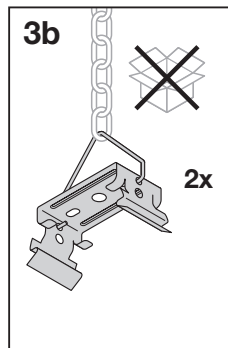
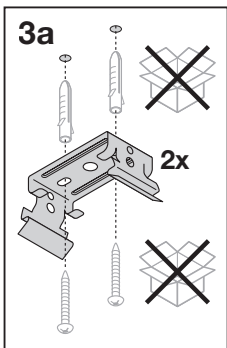
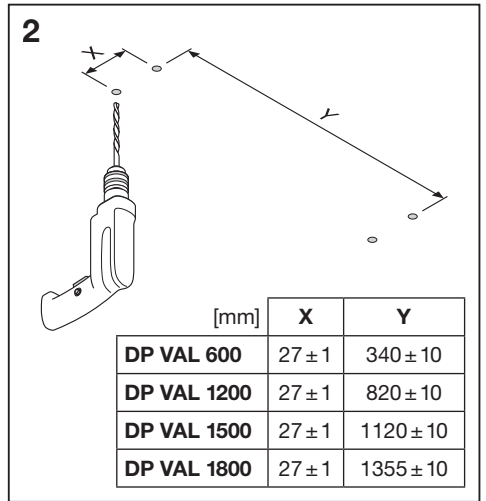
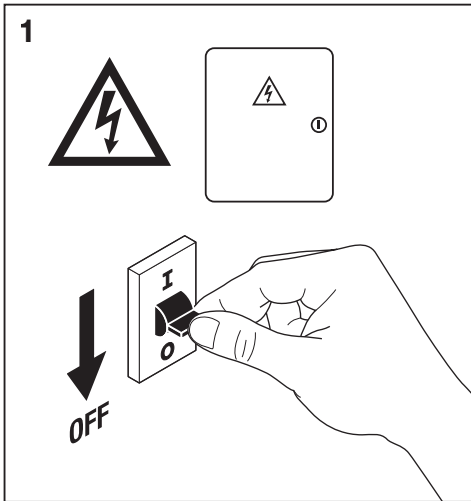
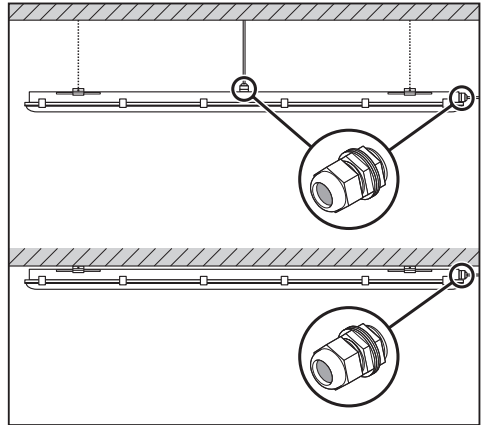
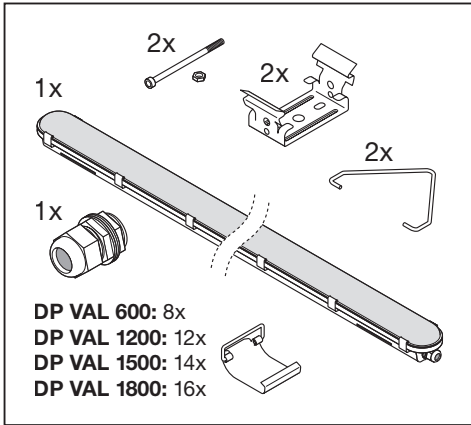


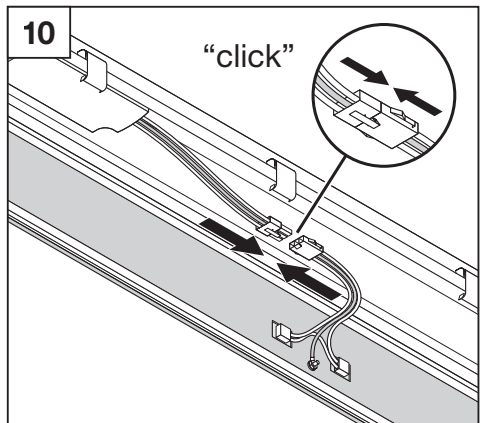
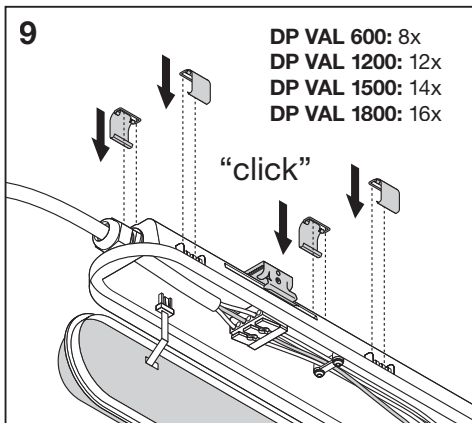
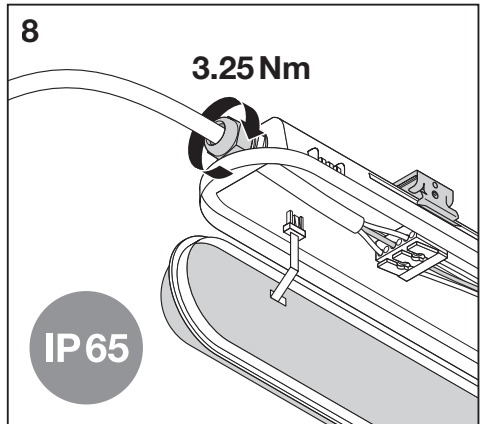
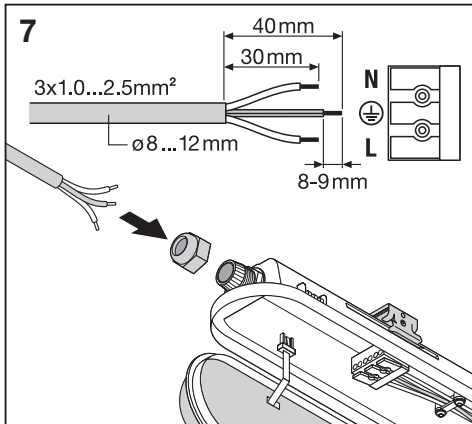
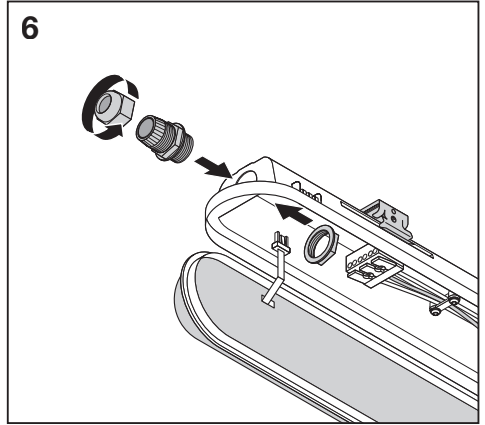
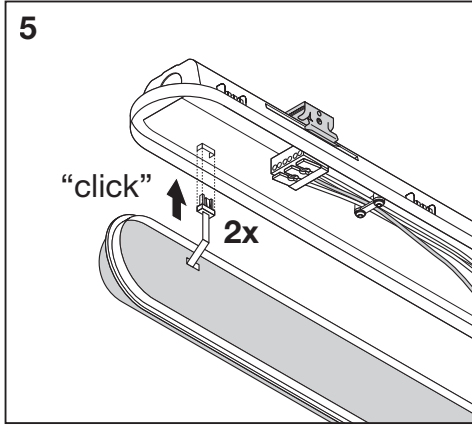
DAMPPROOF VALUE IP65

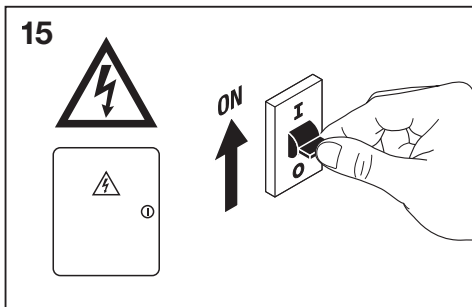
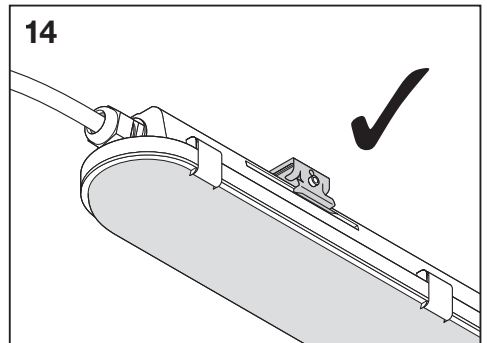
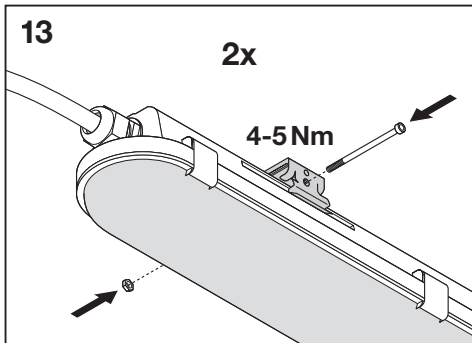
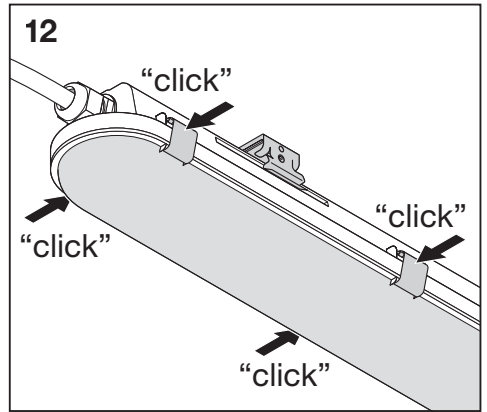
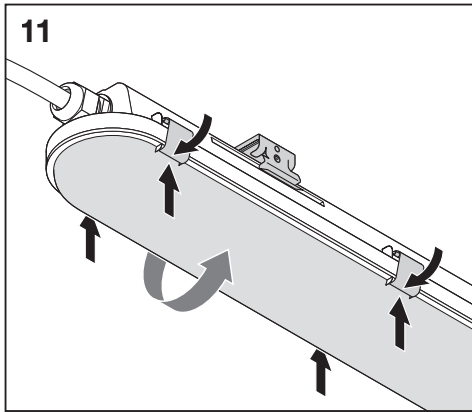


| | EAN | l x w x h [mm] | W | VAC | Hz | lm | lm/W | K |
|----------------------------|---------------|----------------|----|---------|-------|------|------|------|
| DP VAL 600 9W/4000K IP65 | 4058075300705 | 600 x 77 x 68 | 9 | 220-240 | 50/60 | 1080 | 120 | 4000 |
| DP VAL 600 18W/4000K IP65 | 4058075300743 | 600 x 77 x 68 | 18 | 220-240 | 50/60 | 2160 | 120 | 4000 |
| DP VAL 1200 20W/4000K IP65 | 4058075300781 | 1200 x 77 x 68 | 20 | 220-240 | 50/60 | 2400 | 120 | 4000 |
| DP VAL 1200 40W/4000K IP65 | 4058075300828 | 1200 x 77 x 68 | 40 | 220-240 | 50/60 | 4800 | 120 | 4000 |
| DP VAL 1500 25W/4000K IP65 | 4058075300866 | 1500 x 77 x 68 | 25 | 220-240 | 50/60 | 3000 | 120 | 4000 |
| DP VAL 1500 50W/4000K IP65 | 4058075300903 | 1500 x 77 x 68 | 50 | 220-240 | 50/60 | 6000 | 120 | 4000 |
| DP VAL 1800 34W/4000K IP65 | 4058075300941 | 1800 x 96 x 83 | 34 | 220-240 | 50/60 | 3700 | 110 | 4000 |
| DP VAL 1800 70W/4000K IP65 | 4058075300989 | 1800 x 96 x 83 | 70 | 220-240 | 50/60 | 7500 | 105 | 4000 |

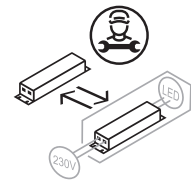
| | EAN | IP | IK | ∠ | R _a | °(°C) | PF | 👤 |
|----------------------------|---------------|----|----|------|----------------|-----------|------|--------|
| DP VAL 600 9W/4000K IP65 | 4058075300705 | 65 | 08 | 115° | >80 | -20...+40 | >0.9 | 0.7 kg |
| DP VAL 600 18W/4000K IP65 | 4058075300743 | 65 | 08 | 115° | >80 | -20...+40 | >0.9 | 0.7 kg |
| DP VAL 1200 20W/4000K IP65 | 4058075300781 | 65 | 08 | 115° | >80 | -20...+40 | >0.9 | 1.5 kg |
| DP VAL 1200 40W/4000K IP65 | 4058075300828 | 65 | 08 | 115° | >80 | -20...+40 | >0.9 | 1.5 kg |
| DP VAL 1500 25W/4000K IP65 | 4058075300866 | 65 | 08 | 115° | >80 | -20...+40 | >0.9 | 2.0 kg |
| DP VAL 1500 50W/4000K IP65 | 4058075300903 | 65 | 08 | 115° | >80 | -20...+40 | >0.9 | 2.0 kg |
| DP VAL 1800 34W/4000K IP65 | 4058075300941 | 65 | 08 | 115° | >80 | -20...+40 | >0.9 | 2.2 kg |
| DP VAL 1800 70W/4000K IP65 | 4058075300989 | 65 | 08 | 115° | >80 | -20...+40 | >0.9 | 2.2 kg |







| n | B16 | C10 | C16 |
|-----------------|-----|-----|-----|
| DP VAL 600 9W | 60 | 48 | 76 |
| DP VAL 600 18W | 53 | 42 | 68 |
| DP VAL 1200 20W | 62 | 50 | 80 |
| DP VAL 1200 40W | 43 | 34 | 54 |
| DP VAL 1500 25W | 55 | 43 | 69 |
| DP VAL 1500 50W | 27 | 23 | 37 |
| DP VAL 1800 34W | 17 | 28 | 18 |
| DP VAL 1800 70W | 22 | 35 | 24 |



C10449057
G11124611
28.06.21



LEDVANCE GmbH
Steinerne Furt 62
86167 Augsburg, Germany
www.ledvance.com