

PRODUCT DATASHEET

LED Color + White Round 400mm 28W + RC

LED COLOR + WHITE | LED wall and ceiling luminaire with remote control for white light and RGB color adjustment



Areas of application

- Indoor applications
- Mood lighting

Product benefits

- Bright panel, uniformly lit with warm white light
- Bezel illumination with constant or automatically changing color
- Comfortable and intuitive remote control
- Switching, dimming in 5 steps and color control with the push of a button
- Clean design, allows for an easy combination with various room styles

Product features

- 2 in 1 LED luminaire for white and colored light
- Available in round and square form



TECHNICAL DATA**Electrical data**

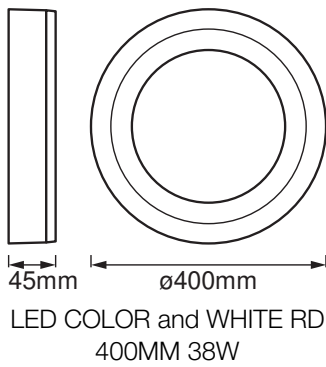
Nominal wattage	28.00 W
Nominal voltage	220...240 V
Mains frequency	50 Hz
Nominal current	123.000 mA
Inrush current	17.4 A
Max. number of luminaires per miniature circuit breaker C10	-
Power factor λ	> 0.90
Protection class	II
Operating mode	Mains voltage

Photometrical data

Luminous flux	1550 lm
Total luminous flux of contained light sources	2000 lm
Luminous efficacy	55 lm/W
Color temperature	3000 K
Light color (designation)	Warm White
Color rendering index Ra	> 80
Standard deviation of color matching	≤6 sdc _m
Photobiological safety group acc. to EN62778	RG1
Photobiological safety group acc. to EN62471	RG1
Beam angle	110 °

Dimensions & Weight

Diameter	400.00 mm
Height	45.00 mm
Product weight	2340.00 g



Materials & Colors

Product color	White
Housing color	White
Body material	Aluminum
Cover material	Polymethylmethacrylate (PMMA)
Light emitting surface material	Plastic
Mercury content	0.0 mg

Application & Mounting

Ambient temperature range	-20...+35 °C
Temperature range at storage	-30...+70 °C
Type of connection	Screw terminal
Type of protection	IP20
Dimmable	Yes
Mounting type	Surface
Mounting location	Ceiling / Wall
Application environment	Indoor
With light source	Yes
Replaceable light source	No

Lifespan

Lifespan L70/B50 at 25 °C	25000 h ¹⁾
Number of switching cycles	100000

¹⁾ t[h]: L70 / B50 @ 25 °C (Ta), t[h]: L80 / B10 @ 25 °C (Ta), t[h]: L90 / B10 @ 25 °C (Ta)

BATTERY

Type of Battery	Li metal button cell battery
Battery size [GMS]	CR2025
Number of included batteries	1
Nominal voltage of battery	3 V
Nominal capacity of battery	150 mAh

Certificates & Standards

Standards	CE / EAC / UKCA
Luminaire with limited surface temperature, "D sign"	No





EQUIPMENT / ACCESSORIES

- Remote control and battery included
- Complete mounting and connecting accessories included

Safety advice

- All electrical connections must be made by a qualified person.
- Caution, risk of electric shock.
- Battery Warning: Keep out of reach for children. Swallowing can lead to chemical burns, perforation of soft tissue, and death. Severe burns can occur within 2 hours of ingestion. Seek medical attention immediately.
- If the battery compartment (if applicable) does not close securely, stop using the product and keep it away from children. If you think batteries might have been swallowed or placed inside any part of the body, seek immediate medical attention.
- Please avoid: Maximal ambient temperature: +35 °C. Replacement of a battery with an incorrect type that can defeat safeguard (for example, in the case of some lithium battery types). Altitude during operation: 2000 m. Disposal of a battery into fire or a hot oven, or mechanically crushing or cutting of a battery, that can result in an explosion.
- Check wall-ceiling for suitability. If uncertain, seek professional advice.

DOWNLOAD DATA

	Documents and certificates	Document name
	User instruction / safety instructions	LED COLOR WHITE
	Legal information	Legal insert Residential luminaires
	Declarations of conformity	LED COLOR WHITE SQ 400MM 30W LEDV
	Declarations of conformity UKCA	Fixed LUM

LOGISTICAL DATA

Product code	Packaging unit (Pieces/Unit)	Dimensions (length x width x height)	Gross weight	Volume
4058075265721	Folding box 1	407 mm x 53 mm x 409 mm	2556.00 g	8.82 dm ³
4058075265738	Shipping box 4	420 mm x 220 mm x 420 mm	10924.00 g	38.81 dm ³

The mentioned product code describes the smallest quantity unit which can be ordered. One shipping unit can contain one or more single products. When placing an order, for the quantity please enter single or multiples of a shipping unit.

DISCLAIMER

Subject to change without notice. Errors and omission excepted. Always make sure to use the most recent release.