

PRODUCT DATASHEET

HB PC REFRACTOR 155 W - 210 W

HIGH BAY REFRACTOR GEN 3 | Refractors for HIGH BAY GEN 3 luminaires



Product features

- High quality polycarbonate refractor



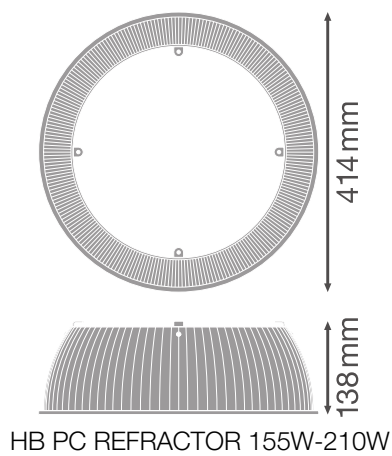
TECHNICAL DATA

Photometrical data

Beam angle	90 °
------------	------

Dimensions & Weight

Diameter	414 mm
Height	138 mm
Product weight	415.00 g



Materials & Colors

Product color	Transparent
Body material	Polycarbonate (PC)




Application & Mounting

Mounting location	Luminaire
Replaceable light source	No

Certificates & Standards

Luminaire with limited surface temperature, "D sign"	No
--	----

DOWNLOAD DATA

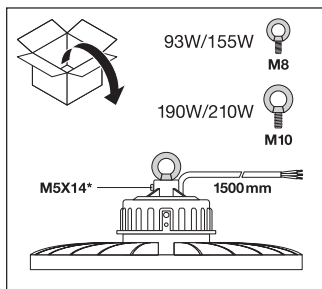
Documents and certificates		Document name
	User instruction / safety instructions	HIGHBAY Gen3
	Declarations of conformity	HB
Tender texts		Document name
	Tender documents	HIGH BAY REFRACTOR GEN 3 155 W - 210 W-EN

LOGISTICAL DATA

Product code	Packaging unit (Pieces/Unit)	Dimensions (length x width x height)	Gross weight	Volume
4058075507036	Shipping box 2	482 mm x 352 mm x 462 mm	1846.00 g	78.38 dm ³

The mentioned product code describes the smallest quantity unit which can be ordered. One shipping unit can contain one or more single products. When placing an order, for the quantity please enter single or multiples of a shipping unit.

ADDITIONAL CATALOG INFORMATION



References / Links

– For Guarantee see www.ledvance.com/guarantee

DISCLAIMER

Subject to change without notice. Errors and omission excepted. Always make sure to use the most recent release.