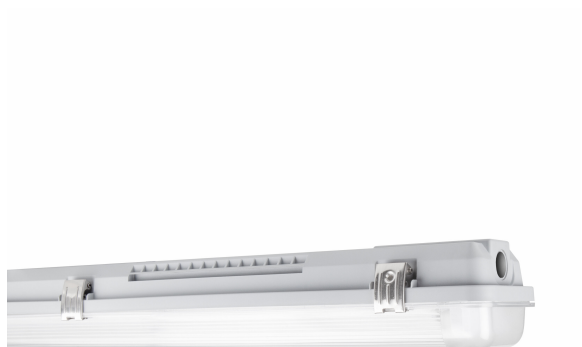


PRODUCT DATASHEET

DP HOUSING DALI 1200 P 2XLAMP IP65

DAMP PROOF HOUSING DALI | Damp-proof luminaire for dimmable LED TUBE



Areas of application

- Parking lots, warehouses, production areas
- Dimmable installations
- Car parks and underpasses
- Garages



Product benefits

- Easy and quick installation
- Prewired for easy installation of LED TUBE T8 EXTERNAL SYSTEM
- Toolless installation
- Robust housing
- Sustainable solution thanks to exchangeable light sources
- 5 years guarantee

Product features

- Luminaire housing, available for 1 or 2 T8 LED tubes
- Dimmable EXTERNAL SYSTEM Driver is already installed
- Suitable for LEDVANCE LED TUBE T8 EXTERNAL SYSTEM
- DALI 2.0 interface for light management system integration
- Integrated electrical fuse
- Type of protection: IP65



TECHNICAL DATA

Electrical data

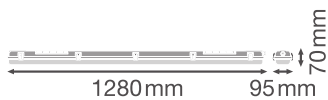
| | |
|-------------------|-----------------------|
| Nominal voltage | 220...240 V |
| Mains frequency | 0/50/60 Hz |
| Protection class | I |
| Operating mode | Integrated LED driver |
| Dimming interface | DALI-2 |

Photometrical data

| | |
|---------------------------------|-------|
| Flickering metric (Pst LM) | < 1 |
| Stroboscope effect metric (SVM) | < 0.4 |

Dimensions & Weight

| | |
|----------------|------------|
| Length | 1280.00 mm |
| Width | 95.00 mm |
| Height | 70.00 mm |
| Product weight | 1200.00 g |



DP HOUSING 1200 P 2XLAMP
IP65

Materials & Colors

| | |
|---------------------------------|--------------------|
| Product color | Gray |
| Housing color | Gray |
| Body material | Polycarbonate (PC) |
| Cover material | Polycarbonate (PC) |
| Light emitting surface material | Polycarbonate (PC) |

| | |
|--|--------|
| Glow Wire Test according to IEC 60695-2-12 | 850 °C |
| Mercury content | 0.0 mg |

Application & Mounting

| | |
|--|---|
| Ambient temperature range | -20...+40 °C |
| Temperature range at storage | -20...+80 °C |
| Type of connection | Screwless terminal, 5-Pole (L, N, PE, DA+, DA-) |
| Type of protection | IP65 |
| Protection class IK (shock resistance) | IK08 |
| Dimmable | Yes |
| Type of dimming | DALI2 |
| Mounting type | Surface |
| Mounting location | Ceiling |
| Application environment | Indoor |
| With light source | No |
| Holder designation | G13 |

Control gear

| | |
|-----------------------------|-------|
| ECG - Output ripple current | ≤ 5 % |
|-----------------------------|-------|

Certificates & Standards

| | |
|--|---------------------------------|
| Standards | CE / TÜV Rheinland / EAC / UKCA |
| Luminaire with limited surface temperature, "D sign" | No |
| Ball shot safe | No |









Additional product data

| | |
|----------------|---|
| Product remark | When used in very cold applications as in cold storage, a special membrane might be required to ensure lifetime |
|----------------|---|

EQUIPMENT / ACCESSORIES

- Through-wiring cable kit available
- Stainless steel clamps and M20 cable gland included

DOWNLOAD DATA

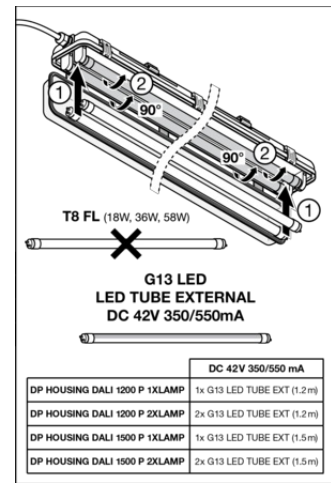
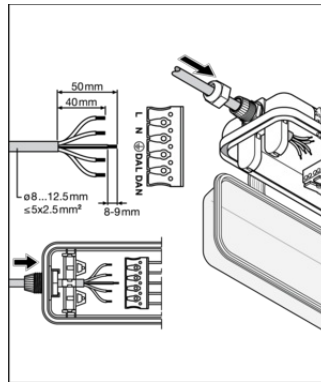
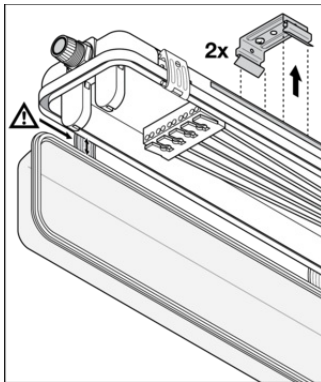
| Documents and certificates | | Document name |
|--|--|---|
|  | User instruction / safety instructions | UI DP HOUSING DALI |
|  | Legal information | LN INV DALI |
|  | Legal information | Informationstext 18 Abs 4 ElektroG |
|  | Declarations of conformity | CE Declaration DP HOUSING |
|  | Declarations of conformity UKCA | UKCA Declaration DP HOUSING |
| CAD/BIM files | | Document name |
|  | BIM Revit 3D | Damp Proof Housing G3 |
|  | CAD STEP 3D | DP HOUSING G3 2 1200 |
| Tender texts | | Document name |
|  | Tender documents | DAMP PROOF HOUSING DALI 1200 P 2XLAMP IP65-EN |

LOGISTICAL DATA

| Product code | Packaging unit (Pieces/Unit) | Dimensions (length x width x height) | Gross weight | Volume |
|---------------|------------------------------|--------------------------------------|--------------|-----------------------|
| 4099854146466 | Folding box 1 | 98 mm x 1,272 mm x 75 mm | 1413.00 g | 9.35 dm ³ |
| 4099854146473 | Shipping box 6 | 1,287 mm x 208 mm x 237 mm | 9178.00 g | 63.44 dm ³ |
| 4099854246043 | Shipping box 9 | 1,287 mm x 306 mm x 237 mm | 12940.00 g | 93.34 dm ³ |

The mentioned product code describes the smallest quantity unit which can be ordered. One shipping unit can contain one or more single products. When placing an order, for the quantity please enter single or multiples of a shipping unit.

ADDITIONAL CATALOG INFORMATION



References / Links

– For Guarantee see www.ledvance.com/guarantee

DISCLAIMER

Subject to change without notice. Errors and omission excepted. Always make sure to use the most recent release.