

1

2

3

4

A

B

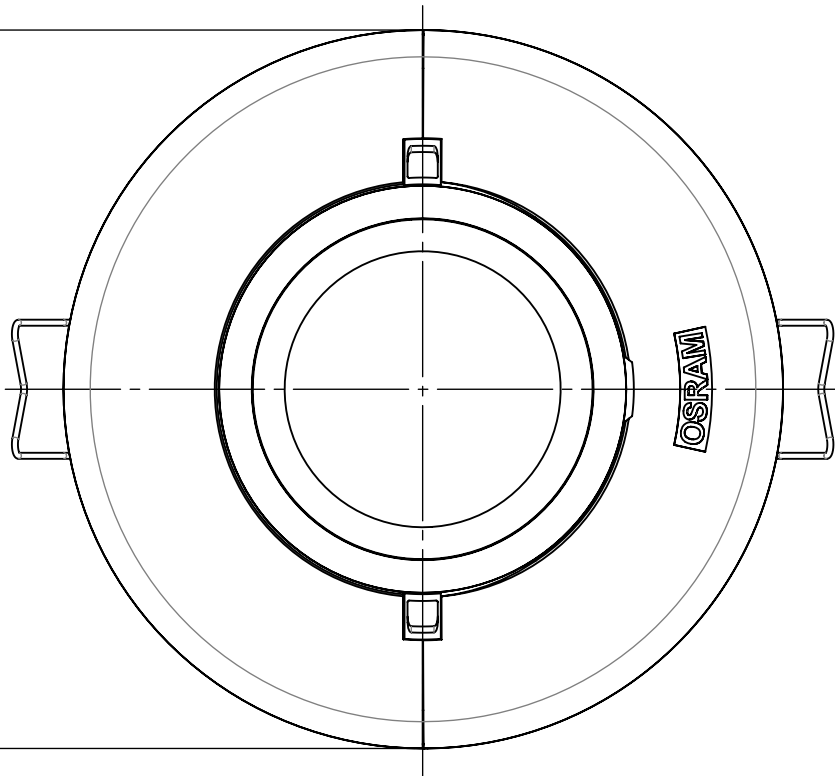
C

D

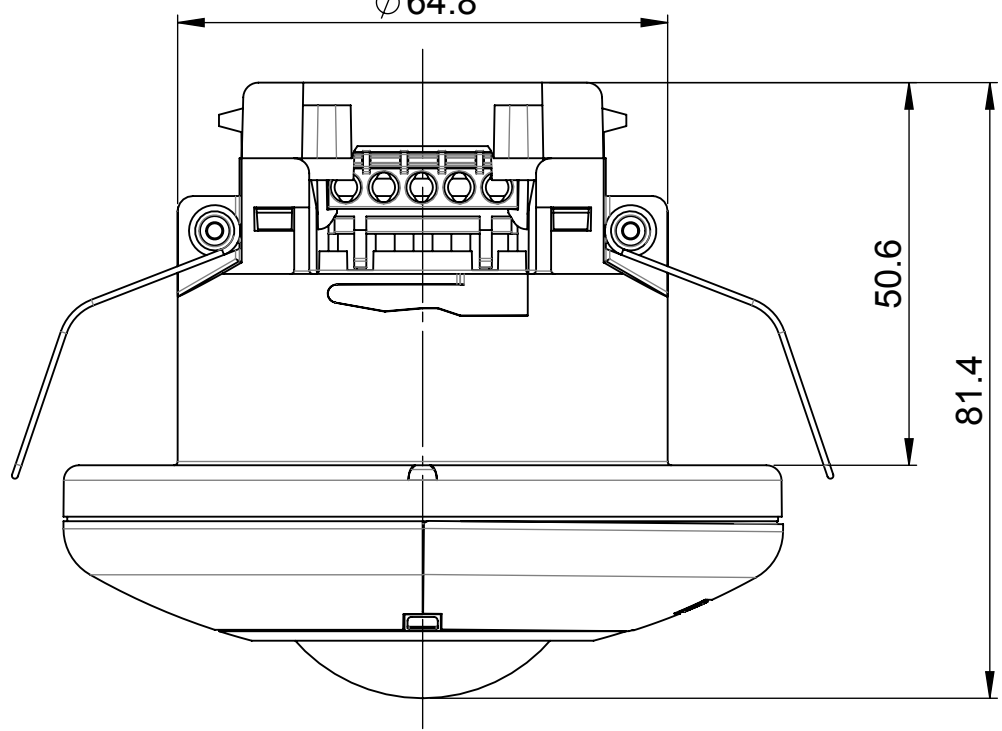
E

F

Ø 95



Ø 64.8



CREATED BY ARNE.MENZ	CREATED AT 2019/Nov/05	SURFACE FINISH not applicable			GENERAL TOLERANCE <b>not applicable</b>	
CHANGED BY P.SACHSENWEG	CHANGED AT 2019/Nov/06	BASIC MATERIAL not applicable				
CHECKED BY P.SACHSENWEG	RELEASE DATE 2019/Nov/11	CALC. WEIGHT / UNIT WEIGHT not applicable	VOLUME / UNIT VOLUME not applicable	NOTES first edition		

<b>OSRAM</b>	DESCRIPTION <b>Customer Drawing Luxeye Sense</b>								FORMAT <b>A4</b>
	DOC TYPE SWD	PLM DOC No. 4161887	LANGUAGE EN	VER 00	DOC TYPE <b>9C1</b>	NEUTRAL FORMAT No. <b>4161431</b>	VER 00	STATUS RL	SCALE 1:1
	DOC TYPE SWM	3D MODEL No. 4161886	DOC PART 000	VER 00	PLM MAT TYPE <b>DMAT</b>	PLM MATERIAL No. <b>D30060676</b>			PAGE 1/1

Released

1

2

3

4

SolidWorks

#OSRAM OLQ (V)  
 #993-#CO. SIMON  
 #  
 #LMS-#Customer Drawing Luxeye Sense  
 #2019-11-11  
 #RL-Released  
 #9C1 4161431-EN-00