



HIGHLY EFFICIENT. HIGHLY DURABLE. HIGHLY FLEXIBLE.

THE NEW STREETLIGHT FLEX RANGE

SEPTEMBER 2021

[LEDVANCE.COM](https://www.ledvance.com)



LEDVANCE



STREETLIGHT FLEX: A COMPLETE PACKAGE FOR ROAD LIGHTING AND PARKING

Extremely efficient, extremely flexible and extremely durable. The new Streetlight Flex range combines optimal bright light quality with modern design and simple, convenient installation – for safe and well illuminated roads and car parks.



QUALITY

- IP66, IK08
- -40 to +50 °C
- 100 000 hrs L90 @25 °C
- 5-year guarantee¹
- ENEC certified

ELECTRIC

- 220–240 Vac, class II
- Programmable OSRAM driver
- Up to 10 kV surge protection (L/N-GND)

PHOTOMETRIC


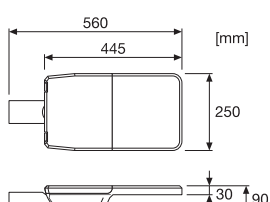

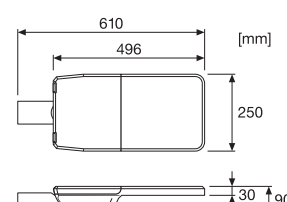

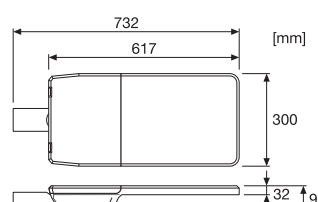


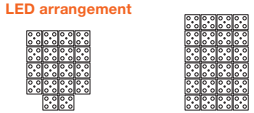
- 1 650 to 24 450 lm
- Up to 155 lm/W efficiency
- 2 700 K, 3 000 K, 4 000 K
- OSRAM LED chip
- Low flicker

MATERIAL

- Aluminum housing
- Color: White Aluminum (similar to RAL 9006)
- Tempered glass cover and UV stable PMMA lens

PERFORMANCE CLASS

¹Refer to www.ledvance.com/guarantee for precise conditions

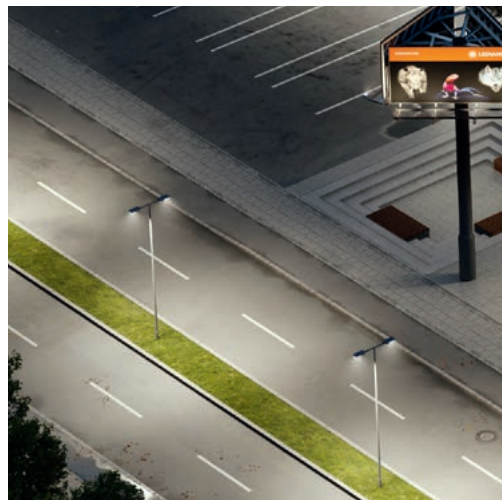
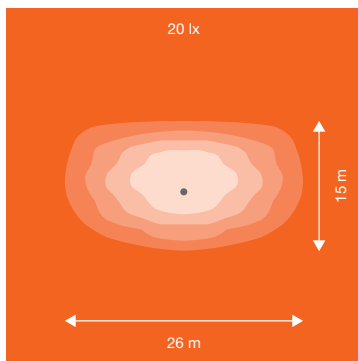
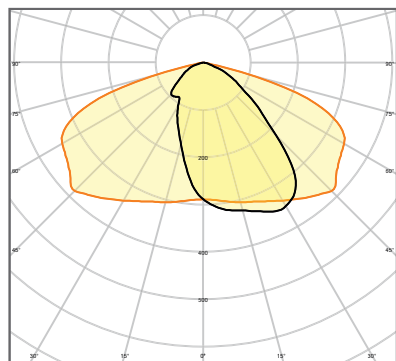
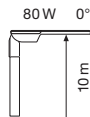
Streetlight Flex Small	Streetlight Flex Medium	Streetlight Flex Large
 	 	 
<p>LED arrangement</p>  <p>13 W (2 × 1) ~1 700 lm 25 W (2 × 2) ~3 400 lm 36 W (3 × 2) ~5 100 lm</p>	<p>LED arrangement</p>  <p>58 W (3 × 3) ~8 250 lm 80 W (3 × 4) ~11 400 lm</p>	<p>LED arrangement</p>  <p>110 W (4 × 4 + 2) ~16 400 lm 158 W (4 × 6) ~23 200 lm</p>

IT'S ALL ABOUT LIGHT DISTRIBUTION

Whether it's streets, car parks or outdoor urban areas, uniform light distribution is crucial. Available with two beam angles, three light colors and seven LED configurations, the Streetlight Flex range offers a matching solution across a wide variety of applications, such as M, C and P class roads according (DIN) EN 13201 and parking areas.

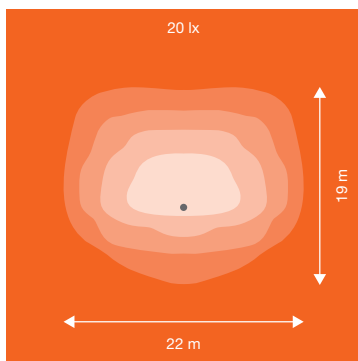
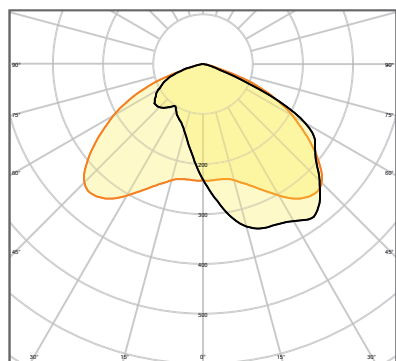
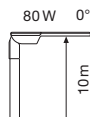
RV25ST light distribution

- For normal roads with a typical width equal to or greater than the road height (width approx. 1 to 1.25 x pole height)
- For rectangular-shaped parking areas in front of the pole



RW35ST light distribution

- For very wide roads with road width greater than the pole height
- For square-shaped parking and area lighting in front of the pole



UPGRADE EASILY TO EFFICIENT LED TECHNOLOGY

Streetlight Flex	Watt	Housing	Lumen	NAV	HCI	HQL
	13W	Small	~1700	—	—	50W
	25W	Small	~3400	50W	50W	70W
	36W	Small	~5100	70W	—	125W
	58W	Medium	~8250	100W	100W	—
	80W	Medium	~11400	150W	150W	250W
	110W	Large	~16400	250W	250W	—
	158W	Large	~23200	400W	—	400W

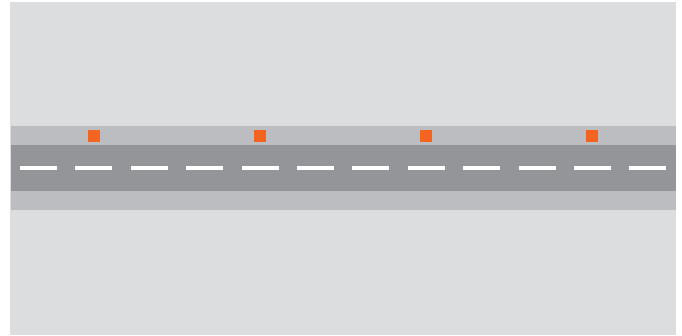
PLANNING EXAMPLES FOR STREET LIGHTING



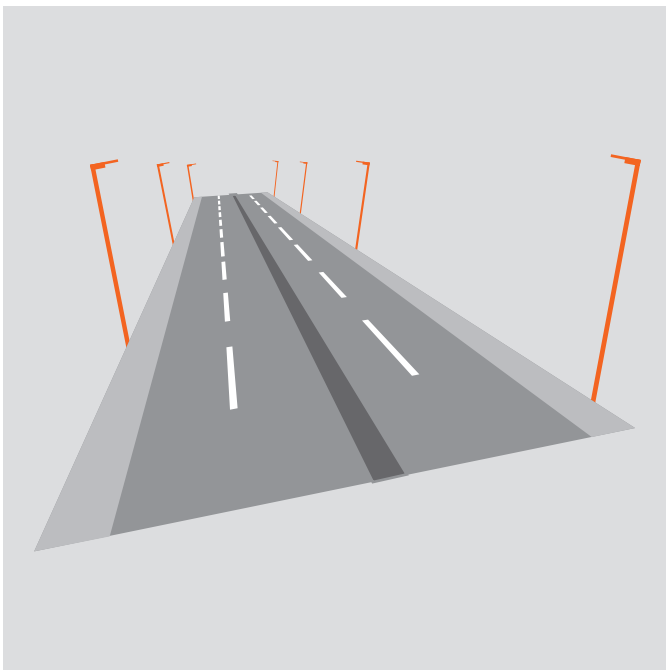
TYPICAL APPLICATION: ONE LANE IN EACH DIRECTION

Based on these parameters:

- Single-sided luminaire placement
- -1 m light overhang
- Max. 10° incline of luminaire head
- Maintenance factor 0.8



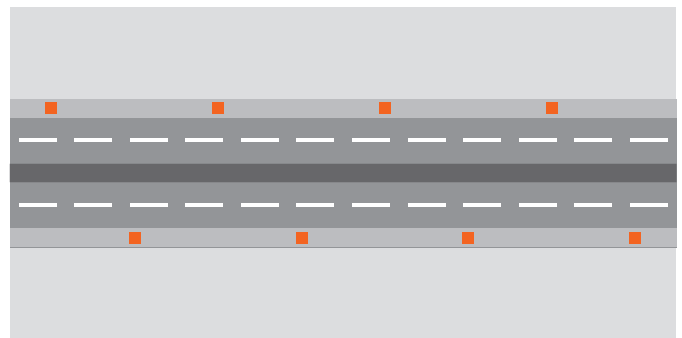
EN13201 CLASS	ROAD GEOMETRY EXAMPLE	POLE DISTANCE ACHIEVED	PRODUCT
P3	8 m wide road/8 m pole	46 m	SL FLEX MD RV25ST P 58W 730 WAL
P4	7.5 m wide road/7.5 m pole	44 m	SL FLEX SM RV25ST P 36W 730 WAL
P5	7.5 m wide road/7.5 m pole	45 m	SL FLEX SM RV25ST P 25W 730 WAL
C4	9 m wide road/9 m pole	37 m	SL FLEX MD RV25ST P 58W 730 WAL
C5	8 m wide road/9 m pole	35 m	SL FLEX MD RV25ST P 58W 730 WAL
M4	9 m wide road/10 m pole	42 m	SL FLEX LA RV25ST P 110W 730 WAL
M5	9 m wide road/9 m pole	44 m	SL FLEX MD RV25ST P 80W 730 WAL



TYPICAL APPLICATION: TWO LANES IN EACH DIRECTION

Based on these parameters:

- Two-sided, offset luminaires
- -1 m light overhang
- Max. 10° incline
- Maintenance factor 0.8

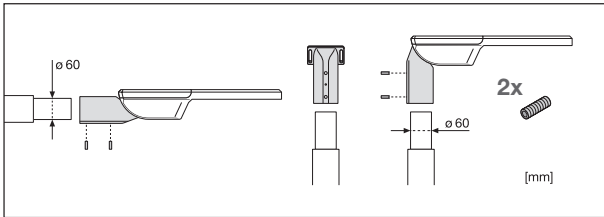


EN13201 CLASS	ROAD GEOMETRY EXAMPLE	POLE DISTANCE ACHIEVED	PRODUCT
M3	17 m wide road/10 m pole	43 m	SL FLEX LA RV25ST P 110W 730 WAL
M4	17 m wide road/10 m pole	43 m	SL FLEX MD RV25ST P 80W 730 WAL

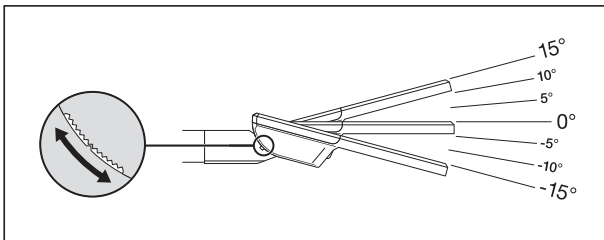
FLEXIBILITY CAN BE SO SIMPLE

Whatever is required, the Streetlight Flex range is prepared for it. For example, when it comes to mounting the luminaires in either a side-entry or post-top positioning. Or the option of adjusting the luminaire head's angle by +/-15°. In any case, installation is always extremely easy.

VERY SIMPLE AND FLEXIBLE INSTALLATION



- Pole adapter for 60 mm pole diameter is included as standard with all Streetlight Flex luminaires
- The flexible design allows for either side-entry or post-top installation of the luminaire

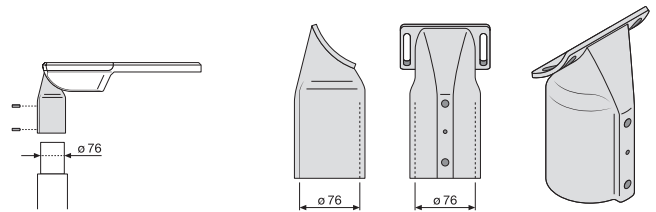


- +/-15° tilt angle adjustment possible without needing to open the housing

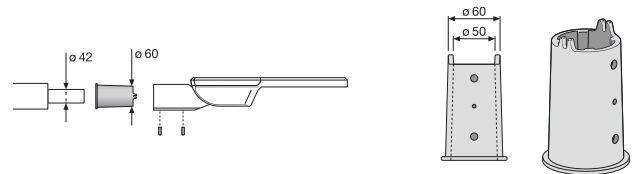
ADDITIONAL ACCESSORIES FOR INCREASED MOUNTING VERSATILITY:

(Separately available to order)

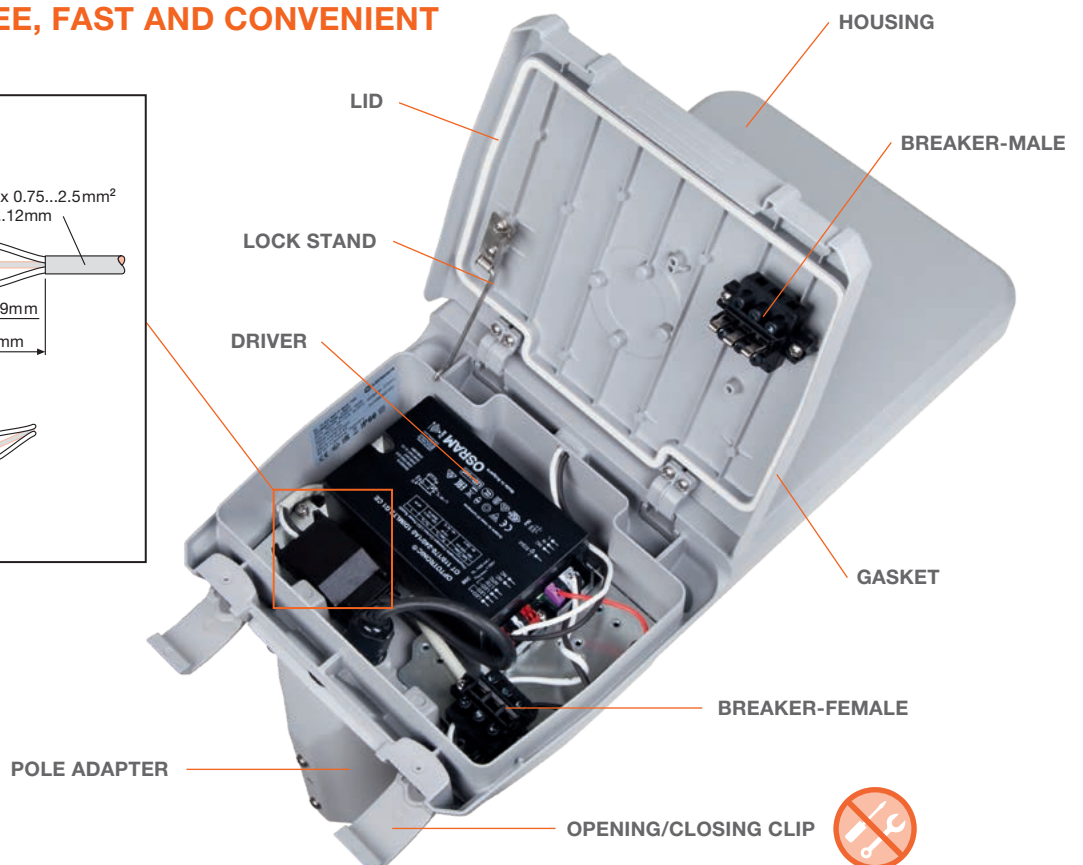
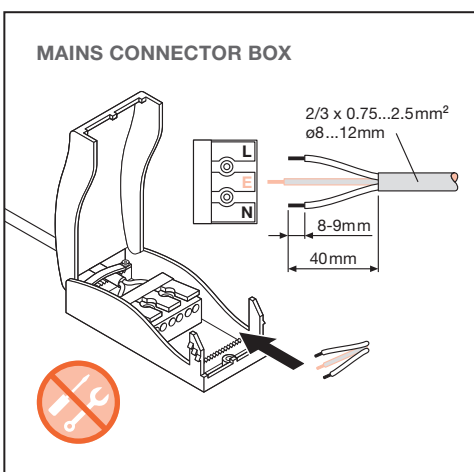
ADAPTER FOR 76 MM POLES



REDUCTION ADAPTER FOR 42 MM CANTILEVER ARM MASTS



WIRING IS TOOL-FREE, FAST AND CONVENIENT



STREETLIGHT FLEX



STREETLIGHT FLEX SMALL RV25ST

Product name	Segmentation	GTIN (EAN)	W	lm	lm/W	K	L90 ²
SL FLEX SM RV25ST P 13W 727 WAL	■	4058075552234	13	1650	127	2700	100 000
SL FLEX SM RV25ST P 13W 730 WAL	■	4058075552241	13	1700	131	3000	100 000
SL FLEX SM RV25ST P 13W 740 WAL	■	4058075552258	13	1780	137	4000	100 000
SL FLEX SM RV25ST P 25W 727 WAL	■	4058075552265	25	3270	131	2700	100 000
SL FLEX SM RV25ST P 25W 730 WAL	■	4058075552272	25	3370	135	3000	100 000
SL FLEX SM RV25ST P 25W 740 WAL	■	4058075552289	25	3550	141	4000	100 000
SL FLEX SM RV25ST P 36W 727 WAL	■	4058075552296	36	4850	135	2700	100 000
SL FLEX SM RV25ST P 36W 730 WAL	■	4058075552302	36	4950	138	3000	100 000
SL FLEX SM RV25ST P 36W 740 WAL	■	4058075552319	36	5180	144	4000	100 000

Product name	Beam angle	CRI	FLICKER VALUE	Mounting	L x W x H [mm] Ø x H [mm]
SL FLEX SM RV25ST P 13W 727 WAL	25°	70	≤ 10 %	4400	445 x 250 x 90
SL FLEX SM RV25ST P 13W 730 WAL	25°	70	≤ 10 %	4400	445 x 250 x 90
SL FLEX SM RV25ST P 13W 740 WAL	25°	70	≤ 10 %	4400	445 x 250 x 90
SL FLEX SM RV25ST P 25W 727 WAL	25°	70	≤ 10 %	4500	445 x 250 x 90
SL FLEX SM RV25ST P 25W 730 WAL	25°	70	≤ 10 %	4500	445 x 250 x 90
SL FLEX SM RV25ST P 25W 740 WAL	25°	70	≤ 10 %	4500	445 x 250 x 90
SL FLEX SM RV25ST P 36W 727 WAL	25°	70	≤ 10 %	4500	445 x 250 x 90
SL FLEX SM RV25ST P 36W 730 WAL	25°	70	≤ 10 %	4500	445 x 250 x 90
SL FLEX SM RV25ST P 36W 740 WAL	25°	70	≤ 10 %	4500	445 x 250 x 90

STREETLIGHT FLEX MEDIUM RV25ST

Product name	Segmentation	GTIN (EAN)	W	lm	lm/W	K	L90 ²
SL FLEX MD RV25ST P 58W 727 WAL	■	4058075552326	58	7750	134	2700	100 000
SL FLEX MD RV25ST P 58W 730 WAL	■	4058075552333	58	8250	142	3000	100 000
SL FLEX MD RV25ST P 58W 740 WAL	■	4058075552340	58	8500	147	4000	100 000
SL FLEX MD RV25ST P 80W 727 WAL	■	4058075552357	80	10550	132	2700	100 000
SL FLEX MD RV25ST P 80W 730 WAL	■	4058075552371	80	11400	143	3000	100 000
SL FLEX MD RV25ST P 80W 740 WAL	■	4058075552395	80	11650	146	4000	100 000

Product name	Beam angle	CRI	FLICKER VALUE	Mounting	L x W x H [mm] Ø x H [mm]
SL FLEX MD RV25ST P 58W 727 WAL	25°	70	≤ 10 %	5100	496 x 250 x 90
SL FLEX MD RV25ST P 58W 730 WAL	25°	70	≤ 10 %	5100	496 x 250 x 90
SL FLEX MD RV25ST P 58W 740 WAL	25°	70	≤ 10 %	5100	496 x 250 x 90
SL FLEX MD RV25ST P 80W 727 WAL	25°	70	≤ 10 %	5600	496 x 250 x 90
SL FLEX MD RV25ST P 80W 730 WAL	25°	70	≤ 10 %	5600	496 x 250 x 90
SL FLEX MD RV25ST P 80W 740 WAL	25°	70	≤ 10 %	5600	496 x 250 x 90

STREETLIGHT FLEX MEDIUM RW35ST

Product name	Segmentation	GTIN (EAN)	W	lm	lm/W	K	L90 ²
SL FLEX MD RW35ST P 80W 727 WAL	■	4058075552364	80	10500	131	2700	100 000
SL FLEX MD RW35ST P 80W 730 WAL	■	4058075552388	80	11300	141	3000	100 000
SL FLEX MD RW35ST P 80W 740 WAL	■	4058075552401	80	11500	144	4000	100 000

Product name	Beam angle	CRI	FLICKER VALUE	Mounting	L x W x H [mm] Ø x H [mm]
SL FLEX MD RW35ST P 80W 727 WAL	35°	70	≤ 10 %	5600	496 x 250 x 90
SL FLEX MD RW35ST P 80W 730 WAL	35°	70	≤ 10 %	5600	496 x 250 x 90
SL FLEX MD RW35ST P 80W 740 WAL	35°	70	≤ 10 %	5600	496 x 250 x 90

STREETLIGHT FLEX LARGE RV25ST

Product name	Segmentation	GTIN (EAN)	W	lm	lm/W	K	L90 ²
SL FLEX LA RV25ST P 110W 727 WAL	■	4058075552418	110	15250	139	2700	100000
SL FLEX LA RV25ST P 110W 730 WAL	■	4058075552432	110	16500	150	3000	100000
SL FLEX LA RV25ST P 110W 740 WAL	■	4058075552456	110	16800	153	4000	100000
SL FLEX LA RV25ST P 158W 727 WAL	■	4058075552470	158	21150	134	2700	100000
SL FLEX LA RV25ST P 158W 730 WAL	■	4058075552494	158	23350	148	3000	100000
SL FLEX LA RV25ST P 158W 740 WAL	■	4058075552517	158	24450	155	4000	100000

Product name						L × W × H [mm] Ø × H [mm]
SL FLEX LA RV25ST P 110W 727 WAL		25 × 145	70	≤ 10 %	7700	617 × 300 × 90
SL FLEX LA RV25ST P 110W 730 WAL		25 × 145	70	≤ 10 %	7700	617 × 300 × 90
SL FLEX LA RV25ST P 110W 740 WAL		25 × 145	70	≤ 10 %	7700	617 × 300 × 90
SL FLEX LA RV25ST P 158W 727 WAL		25 × 145	70	≤ 10 %	7700	617 × 300 × 90
SL FLEX LA RV25ST P 158W 730 WAL		25 × 145	70	≤ 10 %	7700	617 × 300 × 90
SL FLEX LA RV25ST P 158W 740 WAL		25 × 145	70	≤ 10 %	7700	617 × 300 × 90

STREETLIGHT FLEX LARGE RW35ST

Product name	Segmentation	GTIN (EAN)	W	lm	lm/W	K	L90 ²
SL FLEX LA RW35ST P 110W 727 WAL	■	4058075552425	110	15200	138	2700	100000
SL FLEX LA RW35ST P 110W 730 WAL	■	4058075552449	110	16350	149	3000	100000
SL FLEX LA RW35ST P 110W 740 WAL	■	4058075552463	110	16650	151	4000	100000
SL FLEX LA RW35ST P 158W 727 WAL	■	4058075552487	158	21000	133	2700	100000
SL FLEX LA RW35ST P 158W 730 WAL	■	4058075552500	158	23200	147	3000	100000
SL FLEX LA RW35ST P 158W 740 WAL	■	4058075552524	158	23900	151	4000	100000

Product name						L × W × H [mm] Ø × H [mm]
SL FLEX LA RW35ST P 110W 727 WAL		35 × 135	70	≤ 10 %	7700	617 × 300 × 90
SL FLEX LA RW35ST P 110W 730 WAL		35 × 135	70	≤ 10 %	7700	617 × 300 × 90
SL FLEX LA RW35ST P 110W 740 WAL		35 × 135	70	≤ 10 %	7700	617 × 300 × 90
SL FLEX LA RW35ST P 158W 727 WAL		35 × 135	70	≤ 10 %	7700	617 × 300 × 90
SL FLEX LA RW35ST P 158W 730 WAL		35 × 135	70	≤ 10 %	7700	617 × 300 × 90
SL FLEX LA RW35ST P 158W 740 WAL		35 × 135	70	≤ 10 %	7700	617 × 300 × 90

STREETLIGHT FLEX ACCESSORIES



Additional mounting accessories for STREETLIGHT FLEX luminaires

Product name	GTIN (EAN)		L × W × H [mm] Ø × H [mm]	MATERIAL	COLOR	
SL FLEX SPIGOT 76MM WAL	4058075552531	600	191 × 114 × 91	Aluminum	White Aluminum	4
SL FLEX REDUCTION 60 TO 42MM WAL	4058075552579	330	76 × 122	Aluminum	White Aluminum	8

¹ Refer to www.ledvance.com/guarantee for precise conditions | ² t[h]: L90/B10 @ 25 °C (T_a)

ABOUT LEDVANCE



LEDVANCE

With offices in more than 50 countries and business activities in more than 140 countries, LEDVANCE is one of the world's leading general lighting providers for professional users and end consumers. Having emerged from OSRAM's general lighting division, LEDVANCE offers a wide-ranging portfolio of LED luminaires for a broad spectrum of applications, intelligent lighting products for Smart Home and Smart Building solutions, one of the most comprehensive ranges of advanced LED lamps in the lighting industry, traditional light sources, an LED Strip System and light management systems.

LEDVANCE GmbH
Parkring 29–33
85748 Garching
Germany
LEDVANCE.COM

Partner:



LEDVANCE.COM