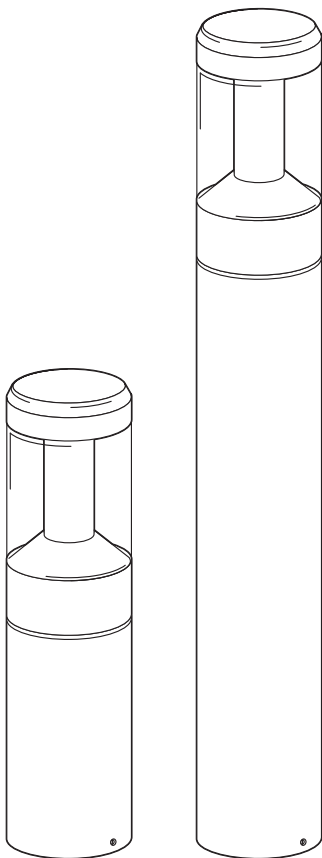


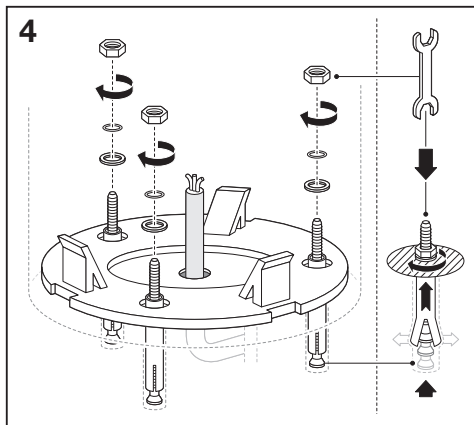
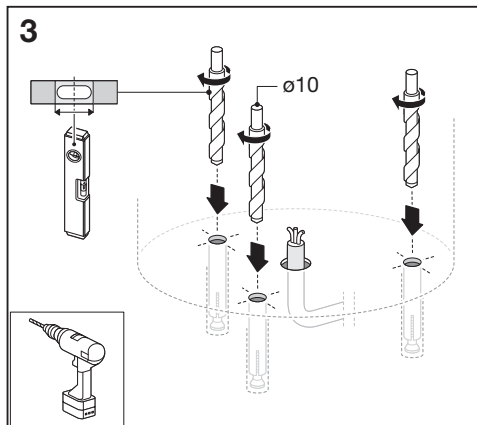
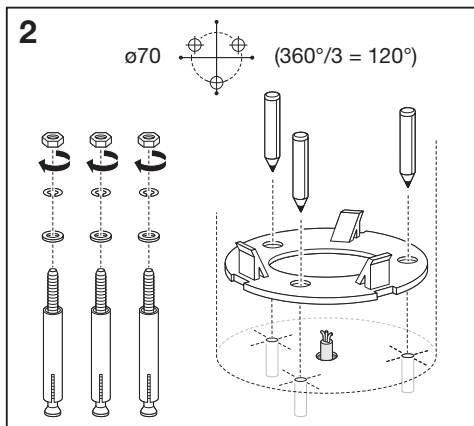
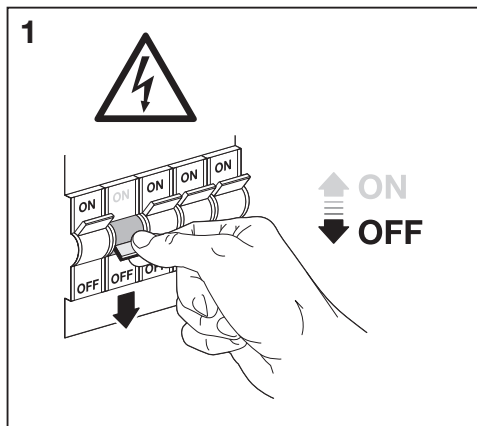
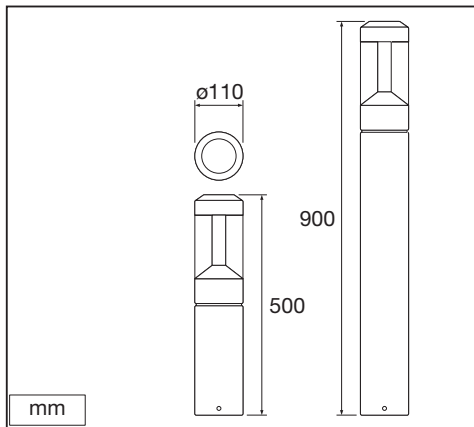
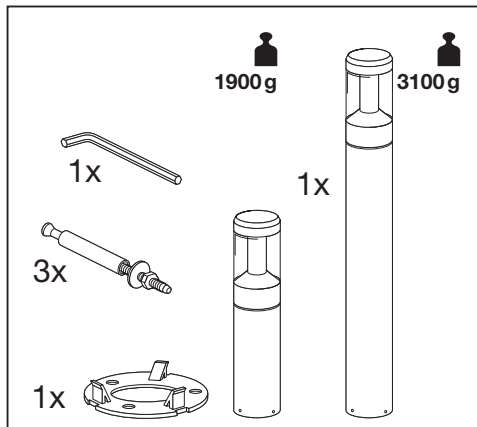
---

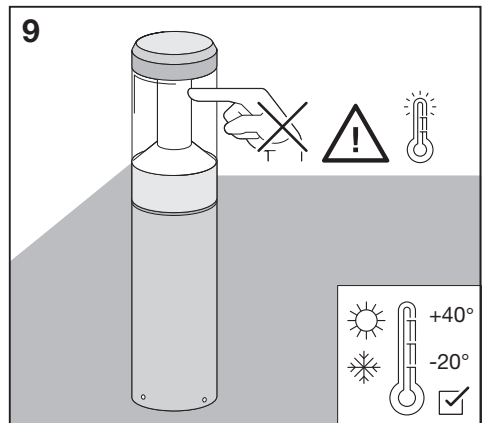
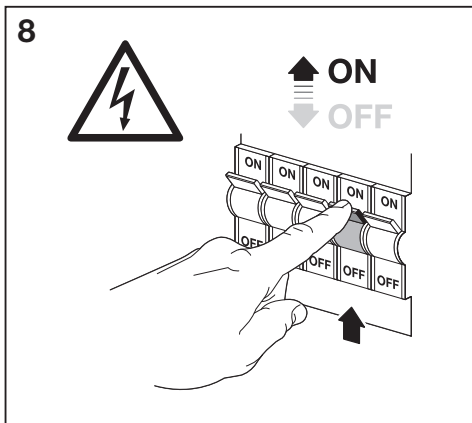
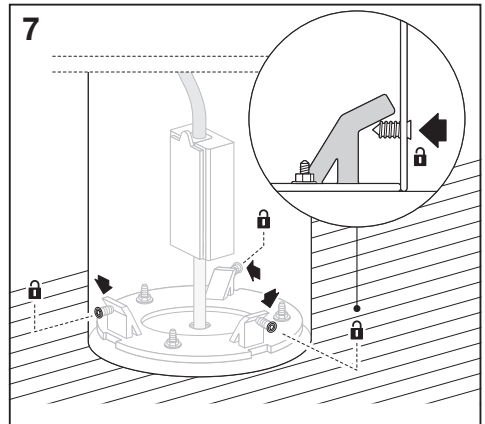
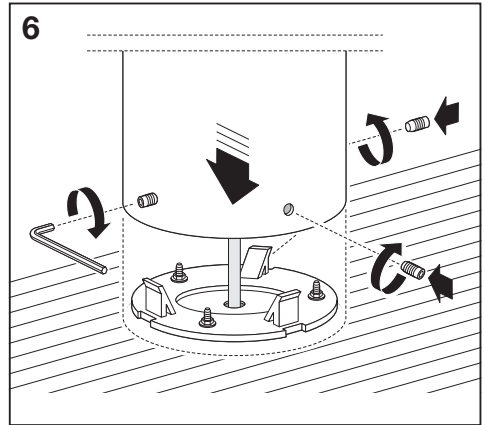
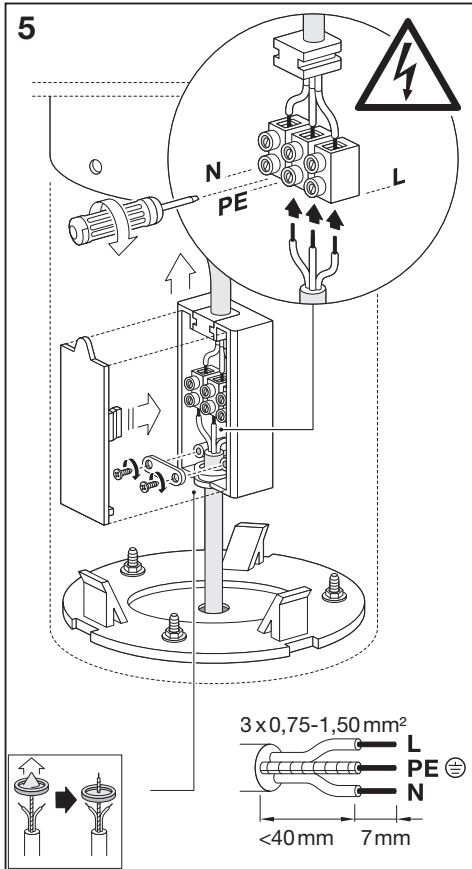
## ENDURA® STYLE LANTERN MODERN



---



	EAN	W	lm	K	Δ (°C)	V~	mA	Hz	DF
ENDURA® STYLE LANTERN MODERN 50CM 12W DG	4058075205031	12	610	3000	-20...+40	220-240	70	50/60	>0.7
ENDURA® STYLE LANTERN MODERN 90CM 12W DG	4058075205055	12	610	3000	-20...+40	220-240	70	50/60	>0.7





	EAN	This product contains a light source of energy efficiency class	Contained Light Source
ENDURA® STYLE LANTERN MODERN 50 CM 12W DG	4058075205031	F	
ENDURA® STYLE LANTERN MODERN 90 CM 12W DG	4058075205055	F	



C10449057  
G11120233  
21.05.2021



LEDVANCE GmbH  
Steinerne Furt 62  
86167 Augsburg, Germany  
[www.ledvance.com](http://www.ledvance.com)