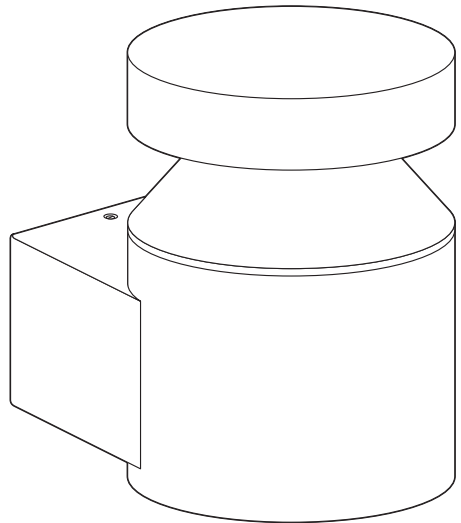
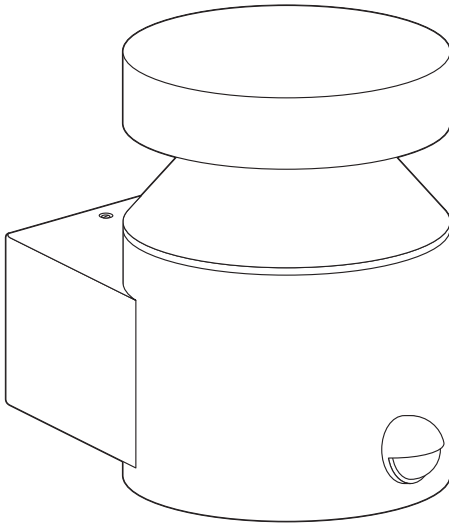
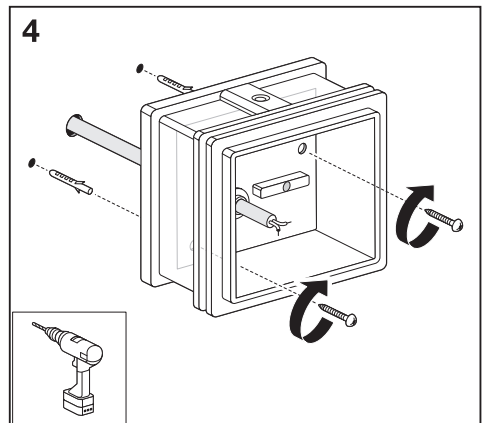
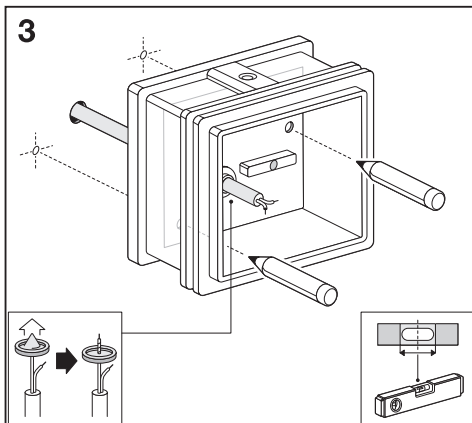
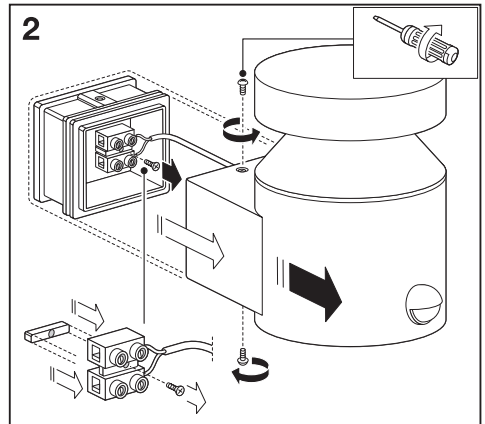
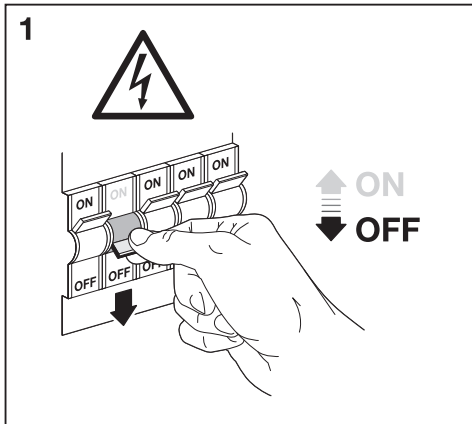
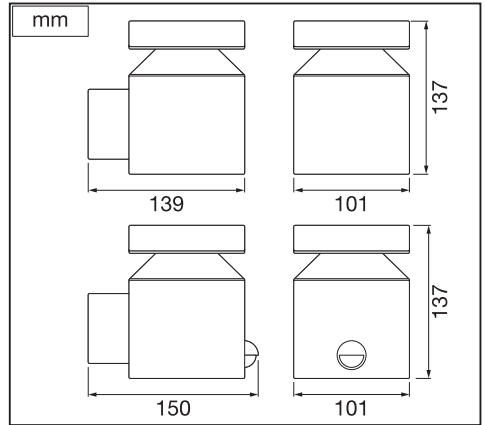
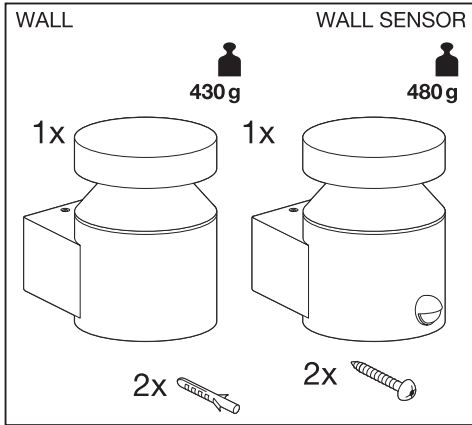
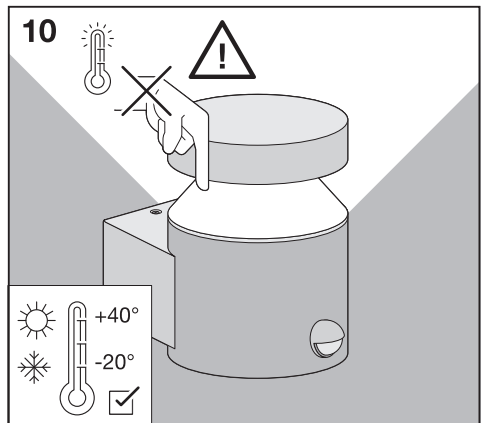
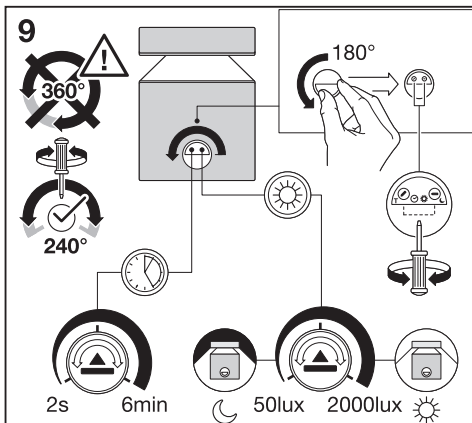
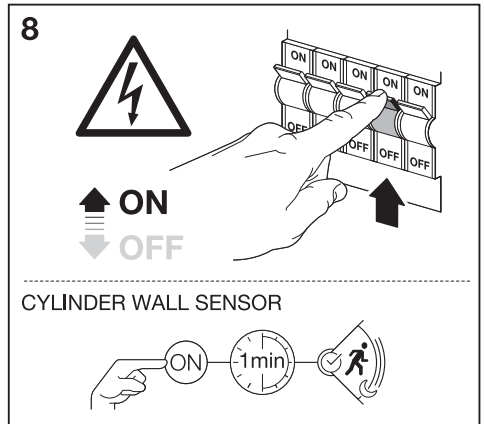
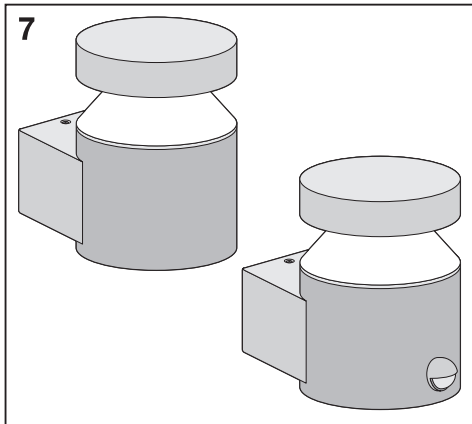
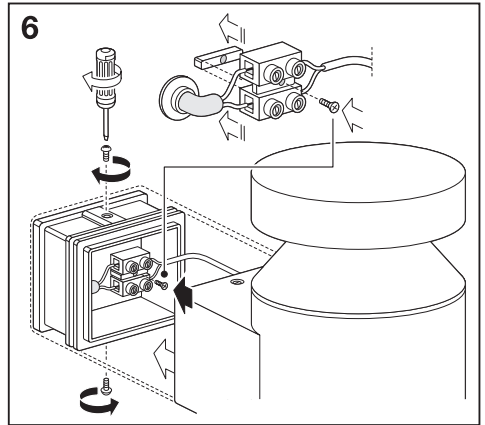
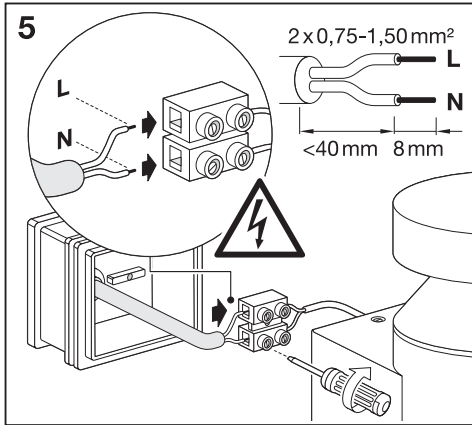



ENDURA® STYLE

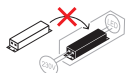


	EAN	W	lm	K	°C	V~	mA	Hz	DF
ENDURA STYLE CYLINDER WALL 6 W ST	4058075205338	6	360	3000	-20...+40	220-240	40	50/60	>0.5
ENDURA STYLE CYLINDER WALL SENSOR 6 W ST	4058075205352	6	360	3000	-20...+40	220-240	40	50/60	>0.5





	EAN	This product contains a light source of energy efficiency class	Contained Light Source
ENDURA STYLE CYLINDER WALL 6 W ST	4058075205338	E	
ENDURA STYLE CYLINDER WALL SENSOR 6 W ST	4058075205352	E	



IP44



C10449057
G11129807
10.01.2022



LEDVANCE GmbH
Steinerne Furt 62
86167 Augsburg, Germany
www.ledvance.com