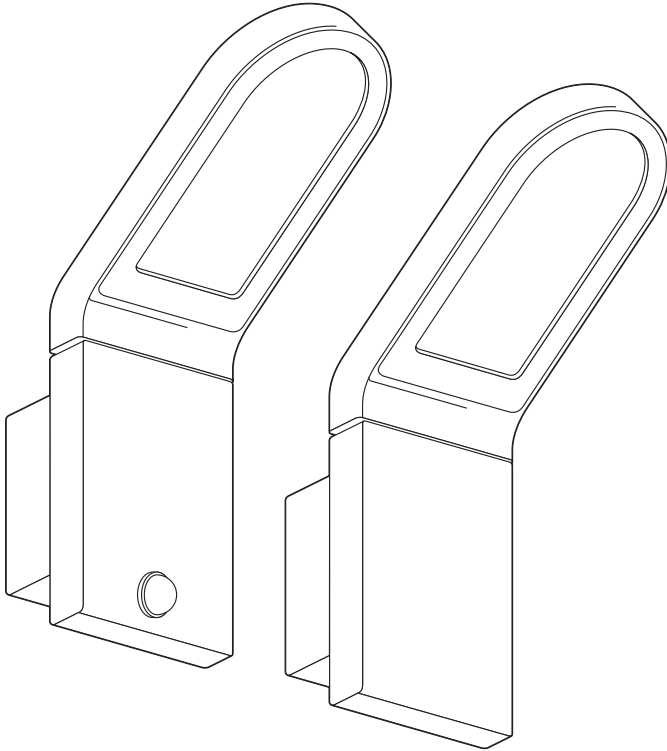
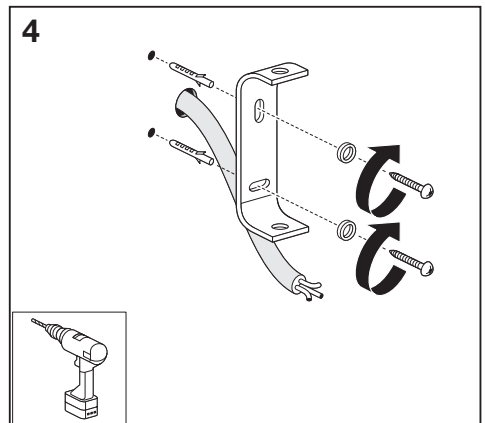
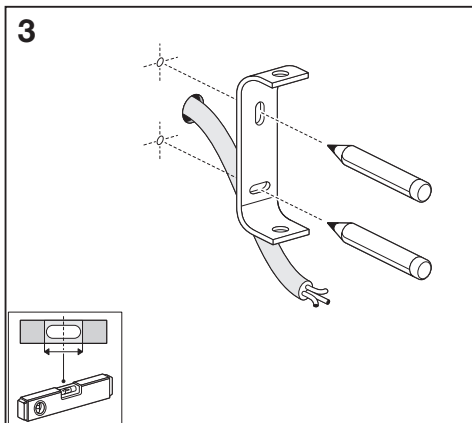
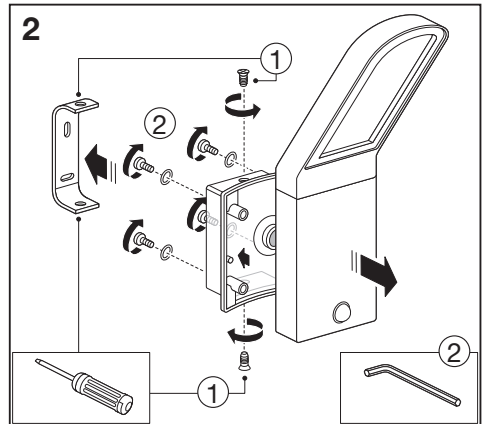
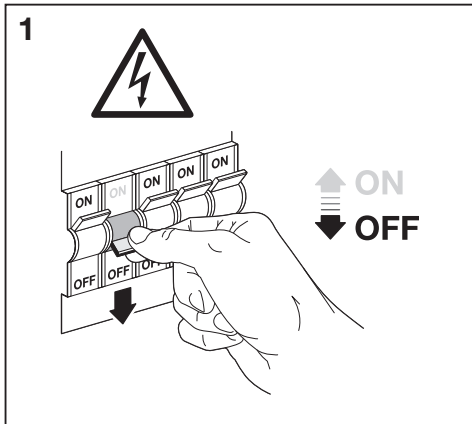
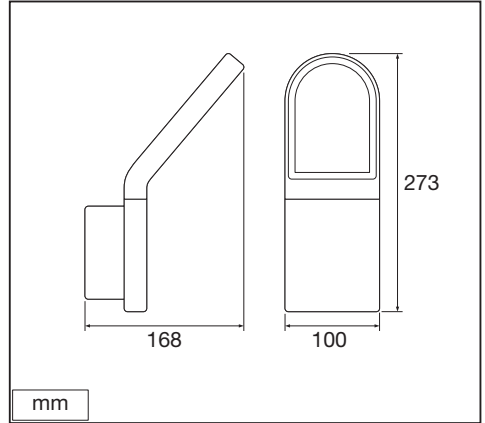
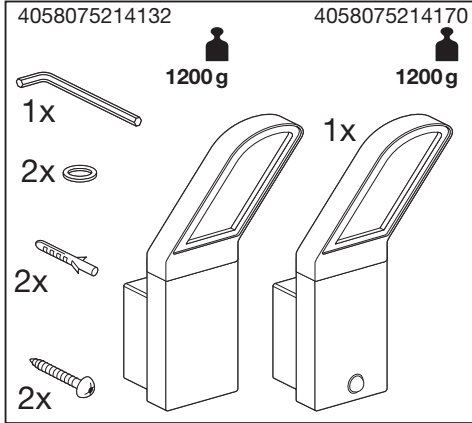
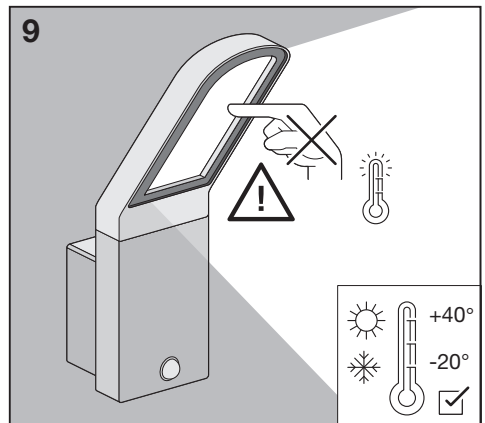
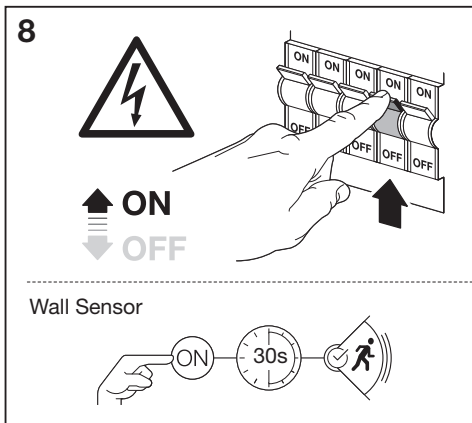
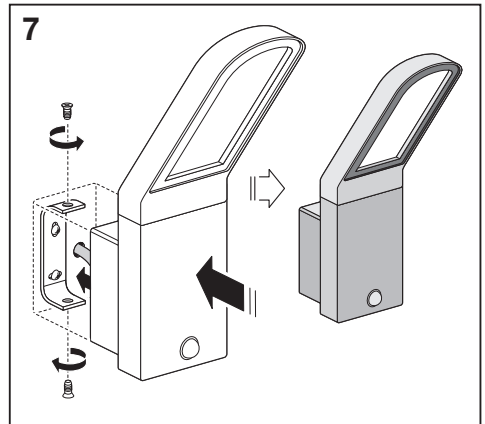
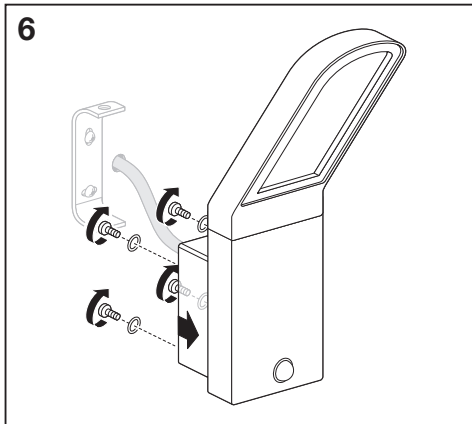
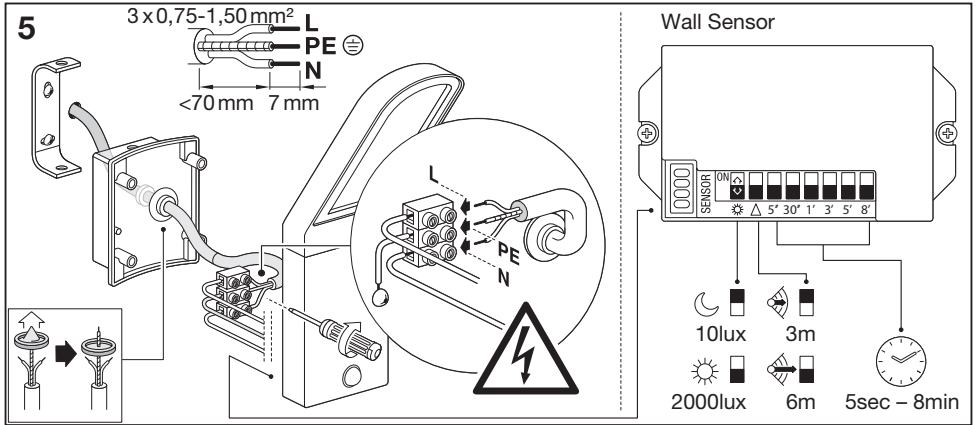



**ENDURA® STYLE
WALL**



	EAN	W	lm	K	⊖ ⁺ (°C)	V~	mA	Hz	DF
ENDURA® STYLE WALL 12W DG	4058075214132	12	740	3000	-20...+40	220-240	70	50/60	>0.7
ENDURA® STYLE WALL SENSOR 12W DG	4058075214170	12	740	3000	-10...+40	220-240	70	50/60	>0.7





	EAN	This product contains a light source of energy efficiency class	Contained Light Source
ENDURA® STYLE WALL 12W DG	4058075214132	F	
ENDURA® STYLE WALL SENSOR 12W DG	4058075214170	F	



C10449057
G11120236
20.05.2021



LEDVANCE GmbH
Steinerne Furt 62
86167 Augsburg, Germany
www.ledvance.com