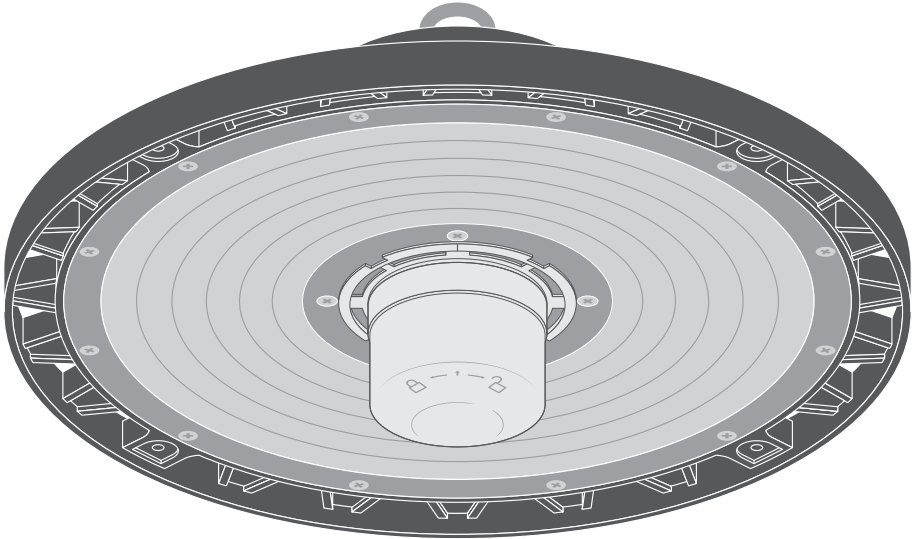


---

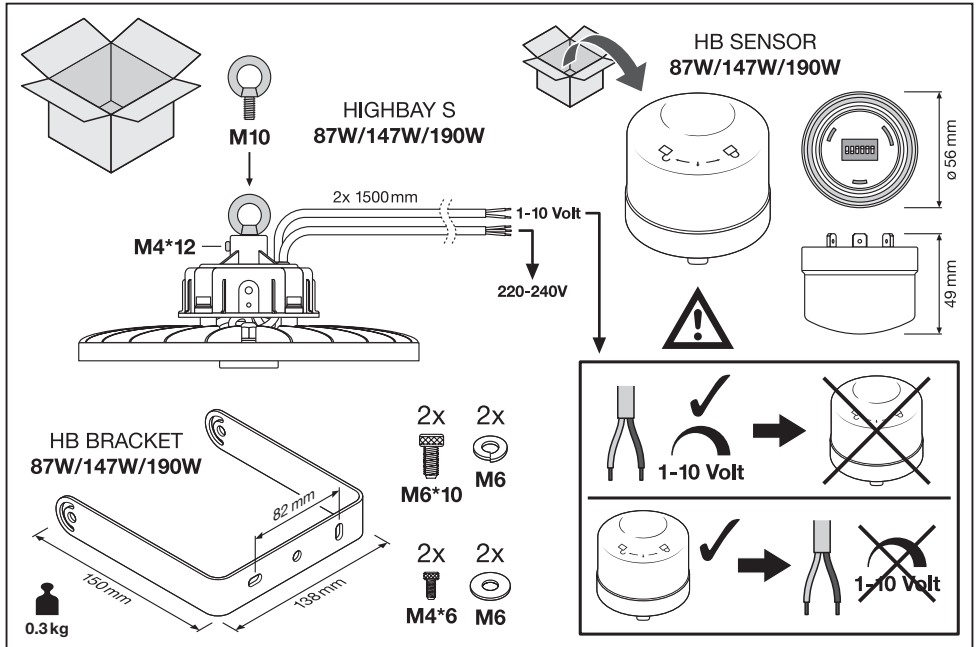
## HIGHBAY SENSOR

---



	EAN	Ø x h [mm]	W	V <sub>AC</sub>	Hz	lm	lm/W	K
<b>HB SEN P 87W 840 110DEG IP65</b>	4058075603257	280 x 190	87	220-240	50/60	13000	150	4000
<b>HB SEN P 147W 840 110DEG IP65</b>	4058075603264	321 x 188	147	220-240	50/60	22000	150	4000
<b>HB SEN P 147W 840 70DEG IP65</b>	4058075603271	321 x 188	147	220-240	50/60	22000	150	4000
<b>HB SEN P 190W 840 110DEG IP65</b>	4058075603288	321 x 192	190	220-240	50/60	27000	140	4000

	EAN	IP	IK	∠	R <sub>a</sub>	° (°C)	PF	⚖️
<b>HB SEN P 87W 840 110DEG IP65</b>	4058075603257	65	08	110°	≥80	-20 ... +50	>0.95	2.3 kg
<b>HB SEN P 147W 840 110DEG IP65</b>	4058075603264	65	08	110°	≥80	-20 ... +50	>0.95	2.6 kg
<b>HB SEN P 147W 840 70DEG IP65</b>	4058075603271	65	08	70°	≥80	-20 ... +50	>0.95	2.7 kg
<b>HB SEN P 190W 840 110DEG IP65</b>	4058075603288	65	08	110°	≥80	-20 ... +50	>0.95	2.9 kg



**HIGHBAY S**  
87W/147W/190W

M10

2x 1500mm

M4\*12

1-10 Volt

220-240V

**HB BRACKET**  
87W/147W/190W

82 mm

150 mm

136 mm

0.3 kg

2x M6\*10

2x M6




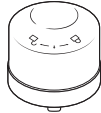


2x M4\*6

2x M6

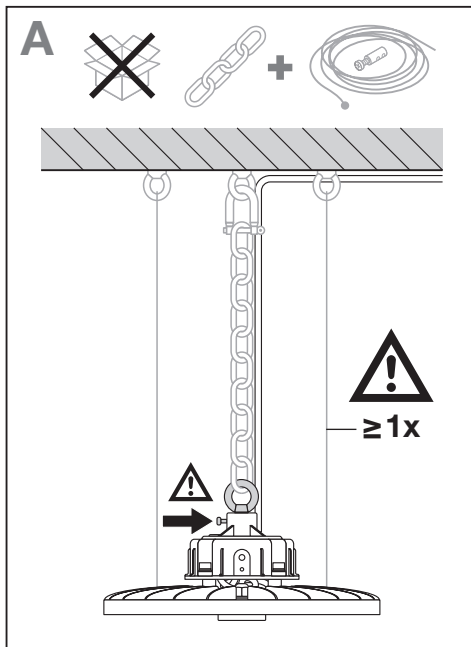
**HB SENSOR**  
87W/147W/190W


56 mm


49 mm

		→	
		→	

**A**

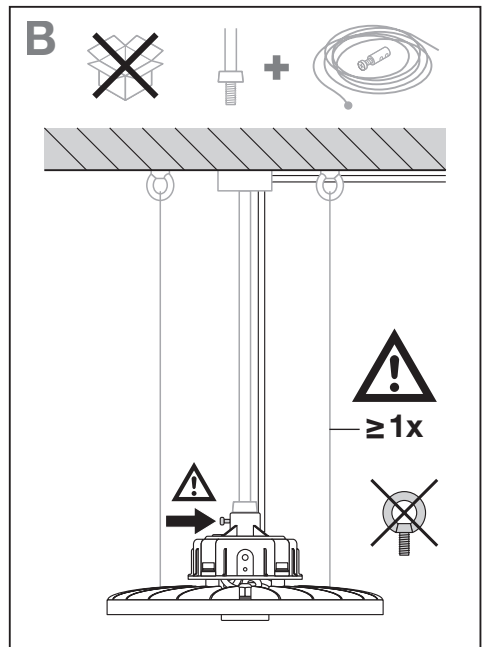








≥ 1x


**B**

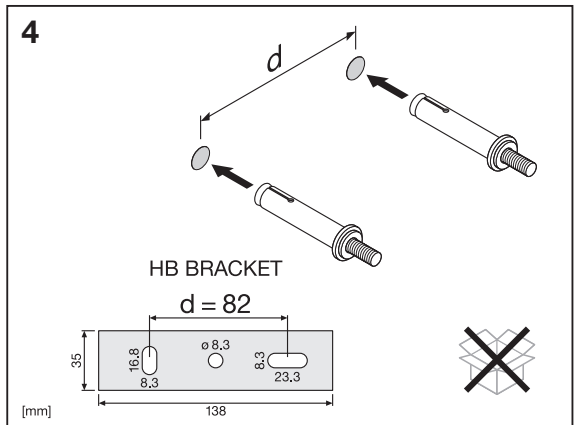
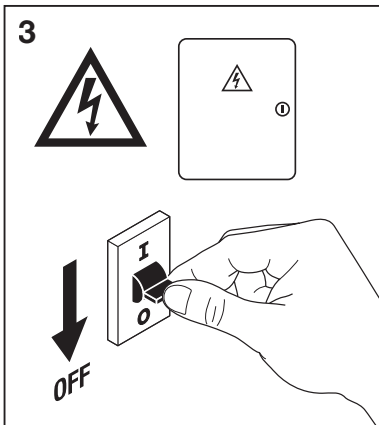
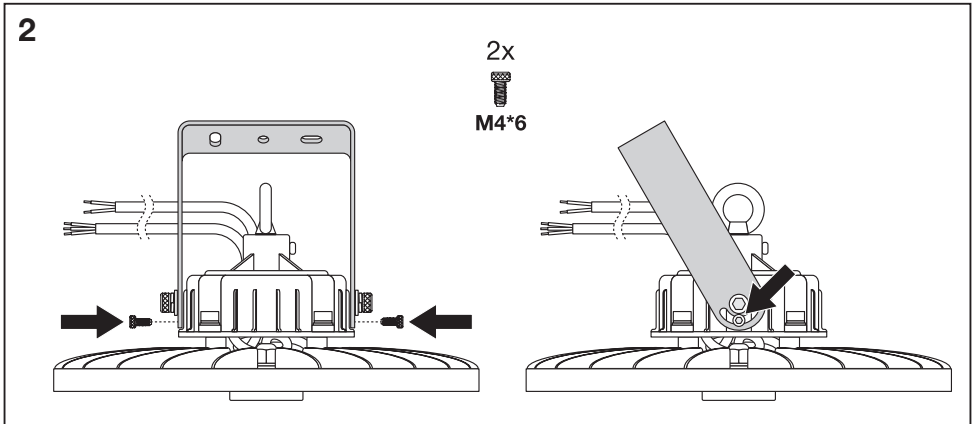
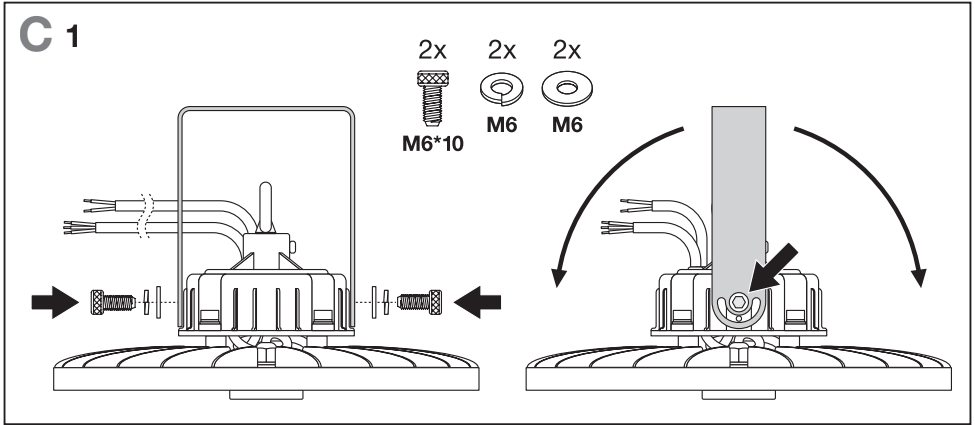


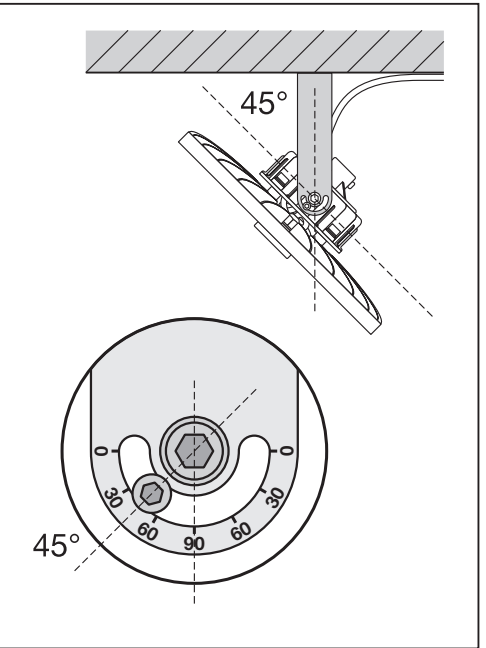
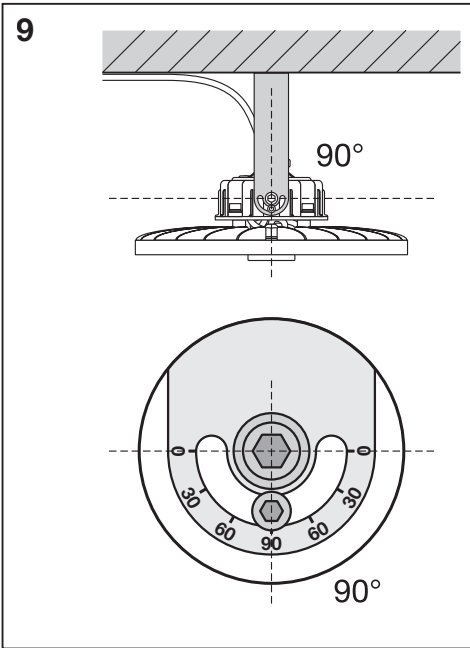
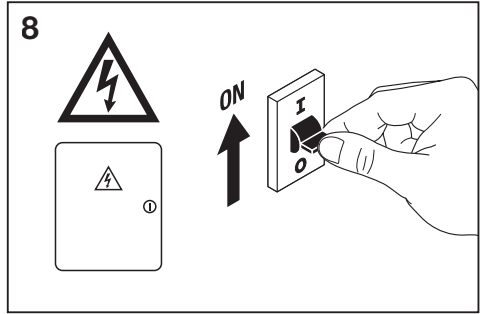
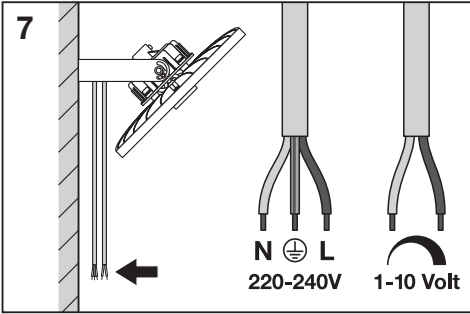
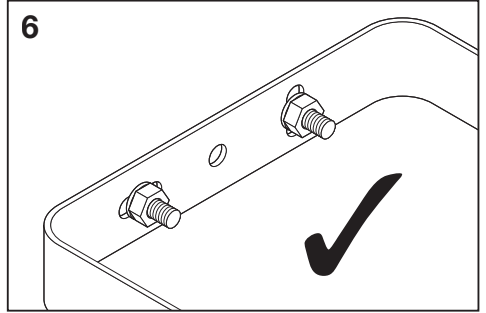
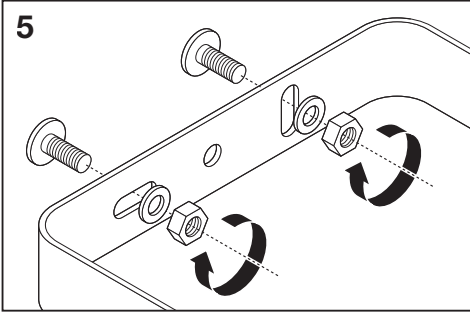


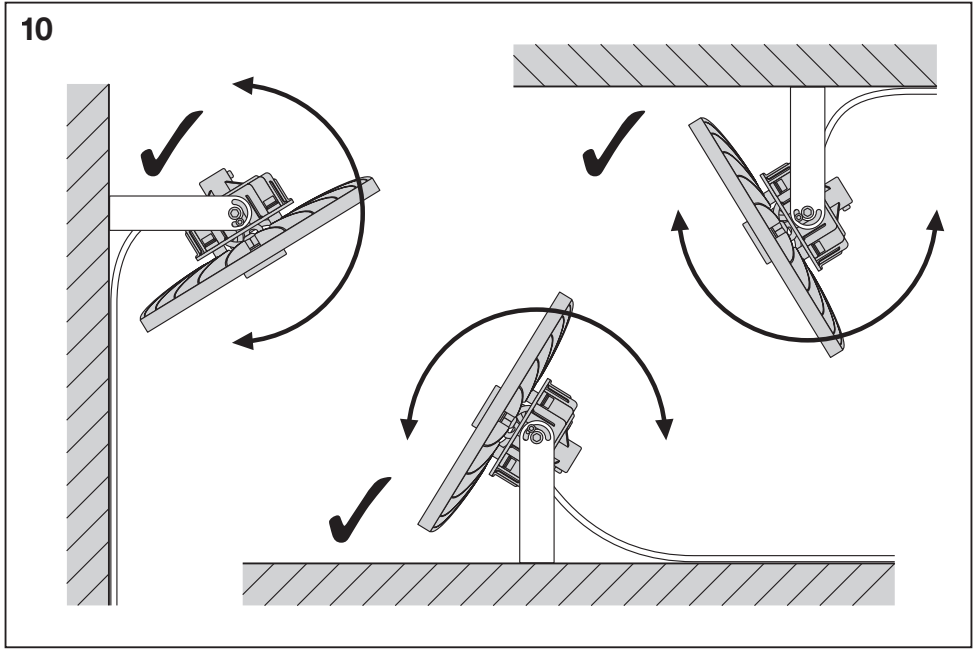


≥ 1x









**11**

**Detection Area**

<b>1</b>	
●	100 %
○	50 %

**Hold Time**

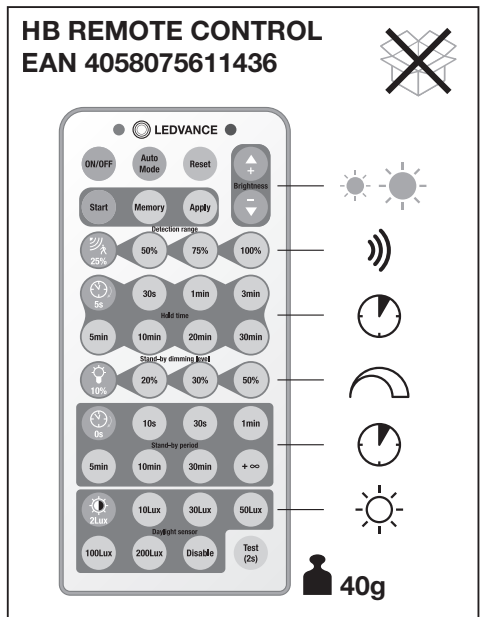
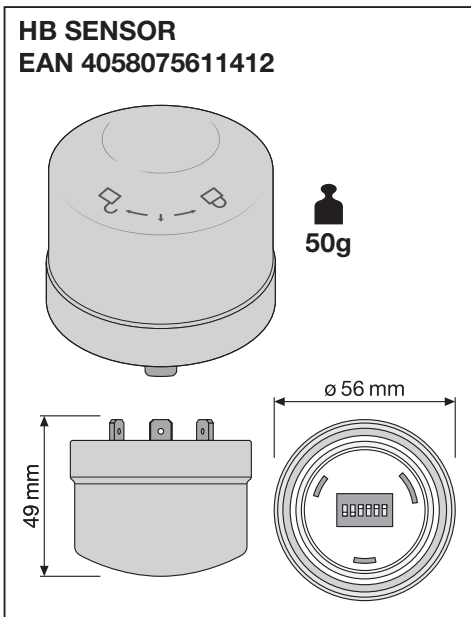
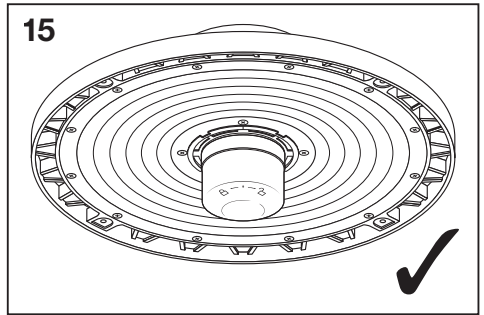
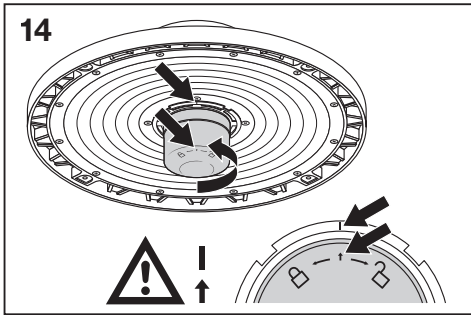
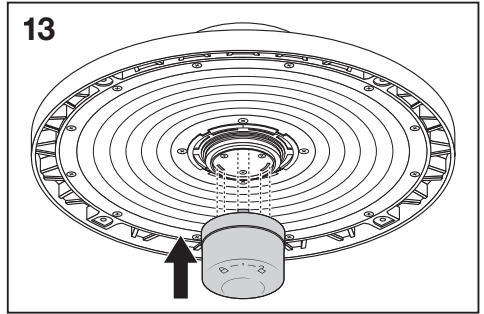
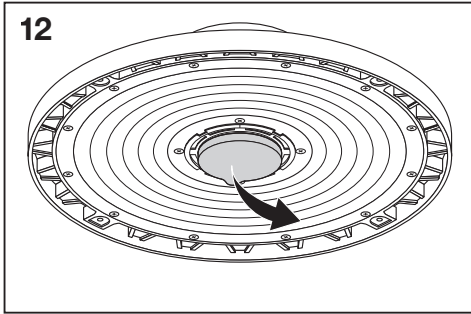
<b>2</b>	<b>3</b>	
●	●	30s
●	○	1 min
○	●	5 min
○	○	10min

**Daylight Sensor**

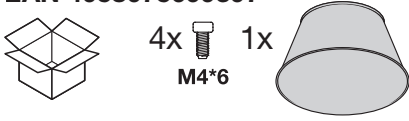
<b>4</b>	
●	Disable
○	100 LUX

**Dimming Level**

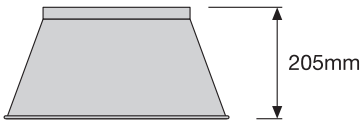
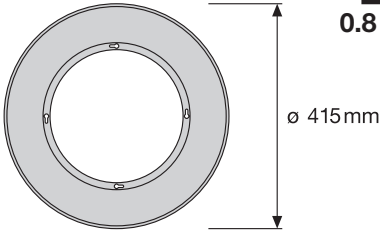
<b>5</b>	<b>6</b>	
●	●	30s
○	●	1 min
●	○	5 min



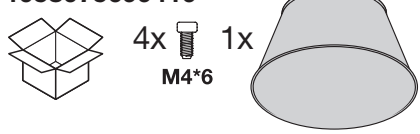
**HB ALU REFLECTOR 87W**  
**EAN 4058075699397**



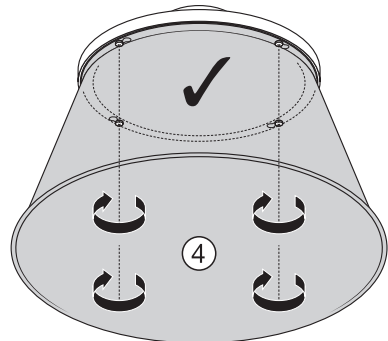
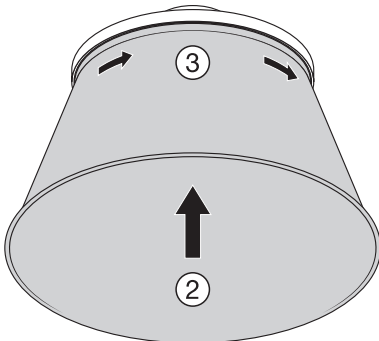
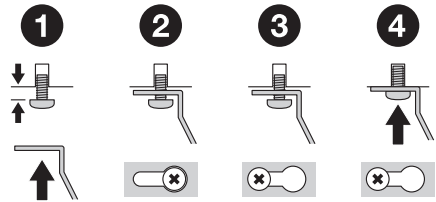
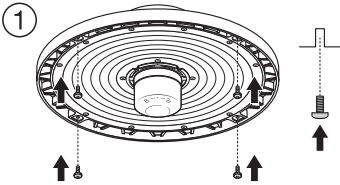
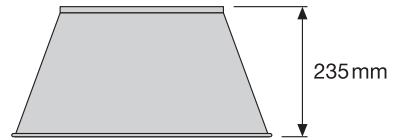
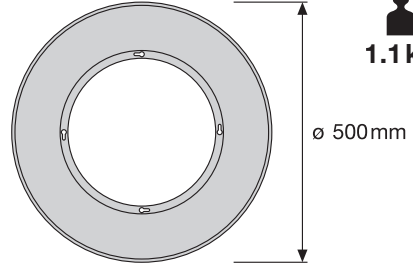
 **0.8 kg**



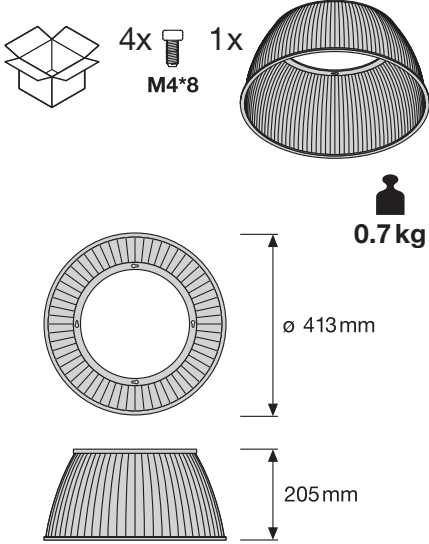
**HB ALU REFLECTOR 147/190/210W**  
**4058075699410**



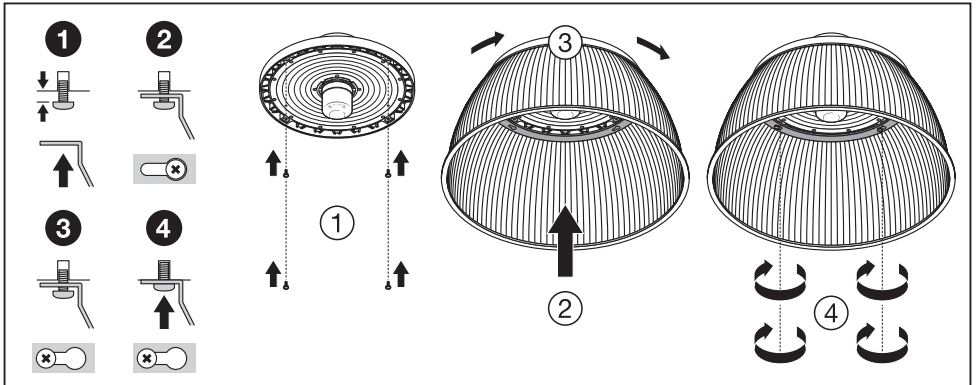
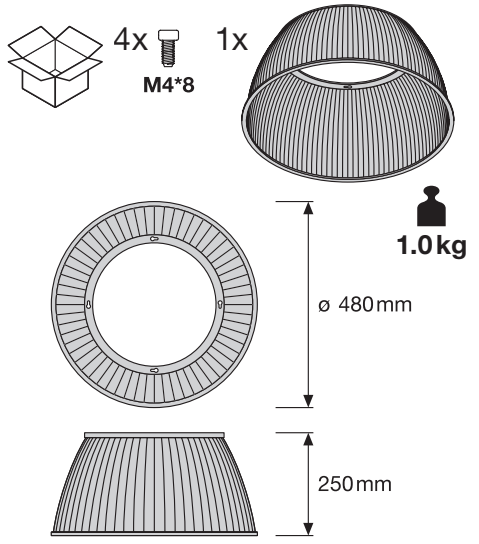
 **1.1 kg**



**HB PC REFRACTOR 87W**  
**EAN 4058075699359**



**HB PC REFRACTOR 147/190/210W**  
**EAN 4058075699373**



	B16A	C10A	C16A
HB SEN P 87W 840 110DEG IP65	5	5	8
HB SEN P 147W 840 110DEG IP65	4	4	6
HB SEN P 147W 840 70DEG IP65	4	4	6
HB SEN P 190W 840 110DEG IP65	3	3	5



**LEDVANCE GmbH**  
 Steinerne Furt 62  
 86167 Augsburg, Germany  
[www.ledvance.com](http://www.ledvance.com)

C10449058  
 G11115598  
 22.09.21

© LEDVANCE Ltd, Aquila House  
 Delta Crescent, Westbrook, Warrington  
 WA5 7NR, United Kingdom